

**SINGER**  
**31K19,K21,K47**

Form K6223  
Supersedes K5510

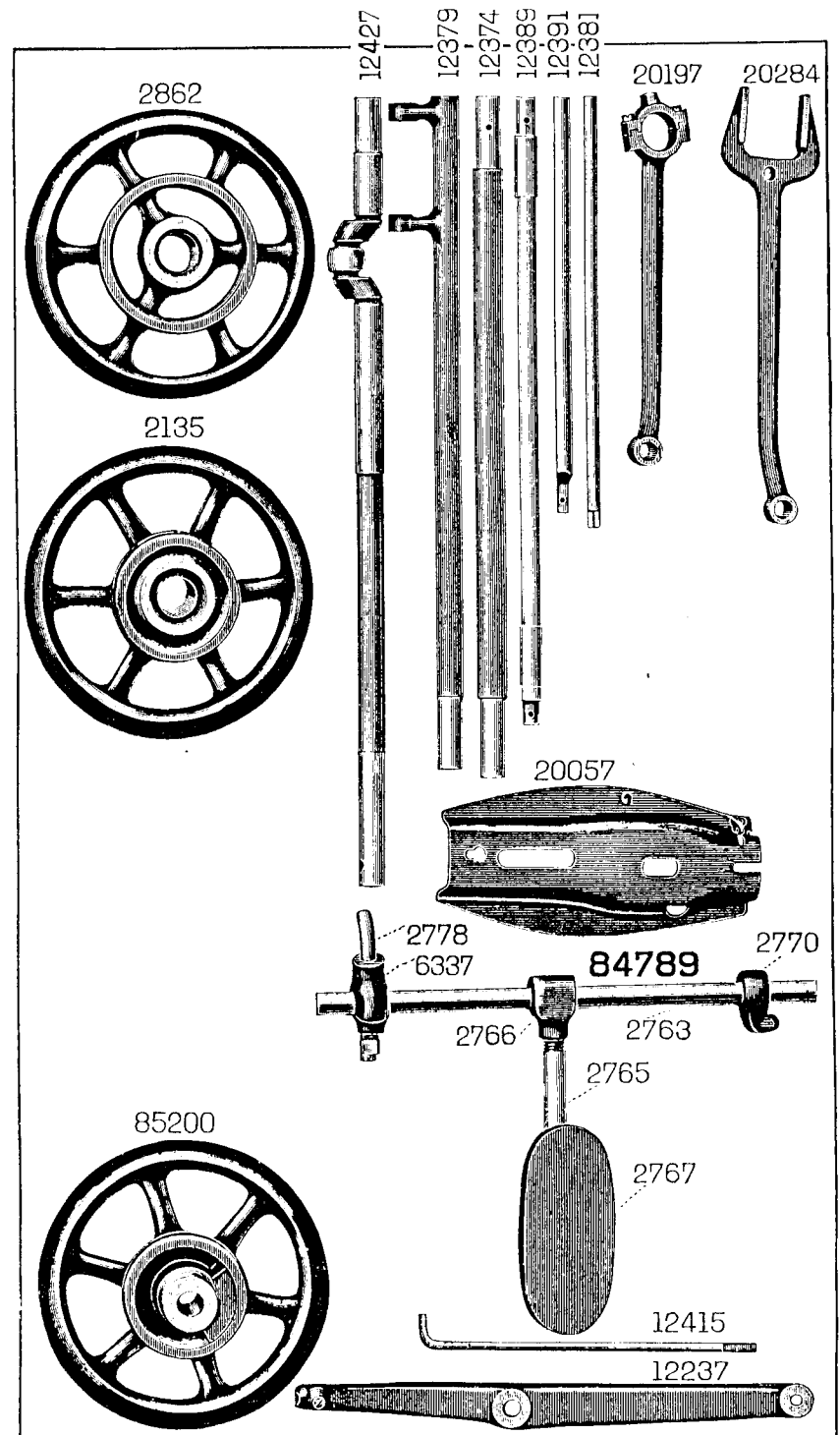
ILLUSTRATED  
LIST OF PARTS

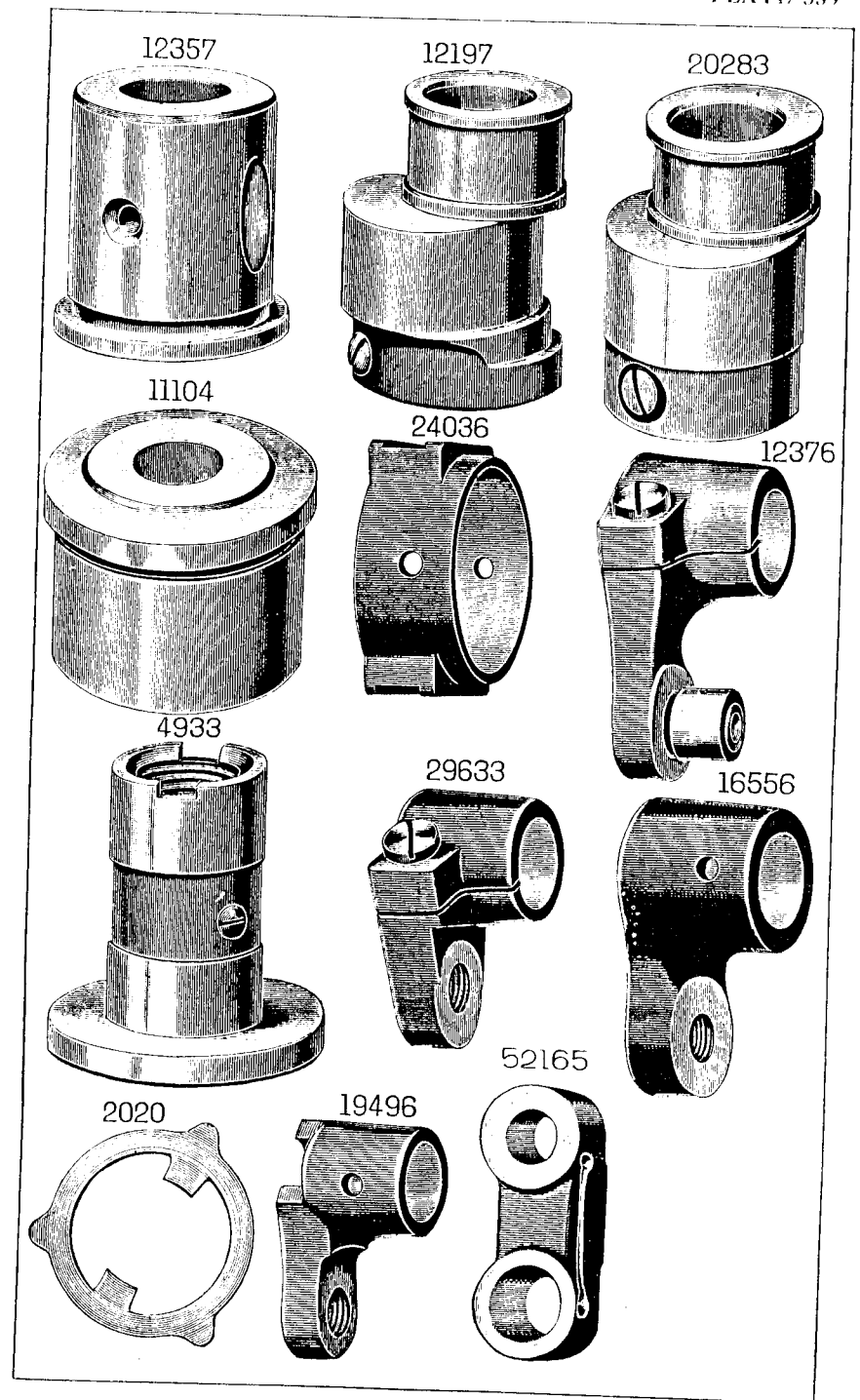
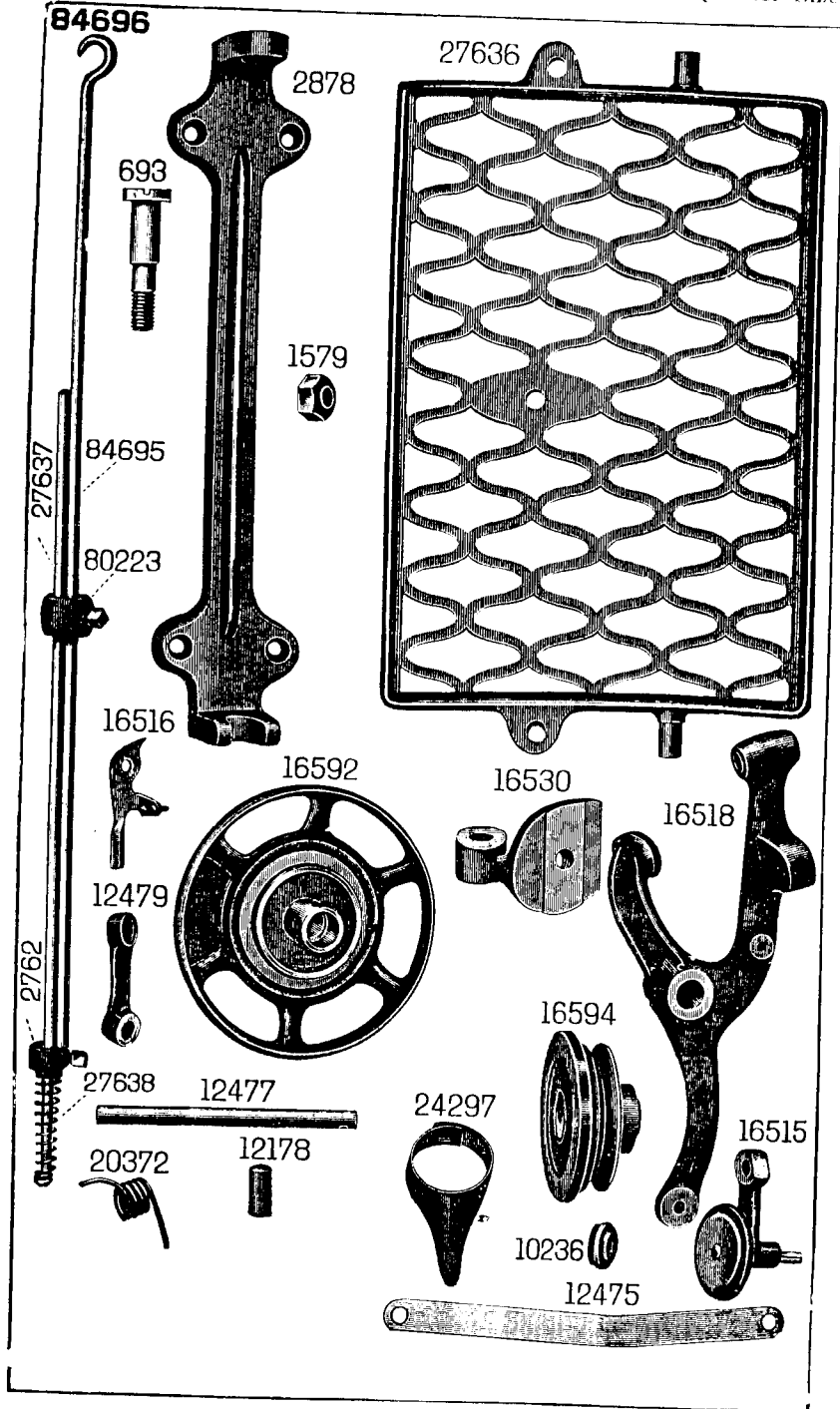
FOR

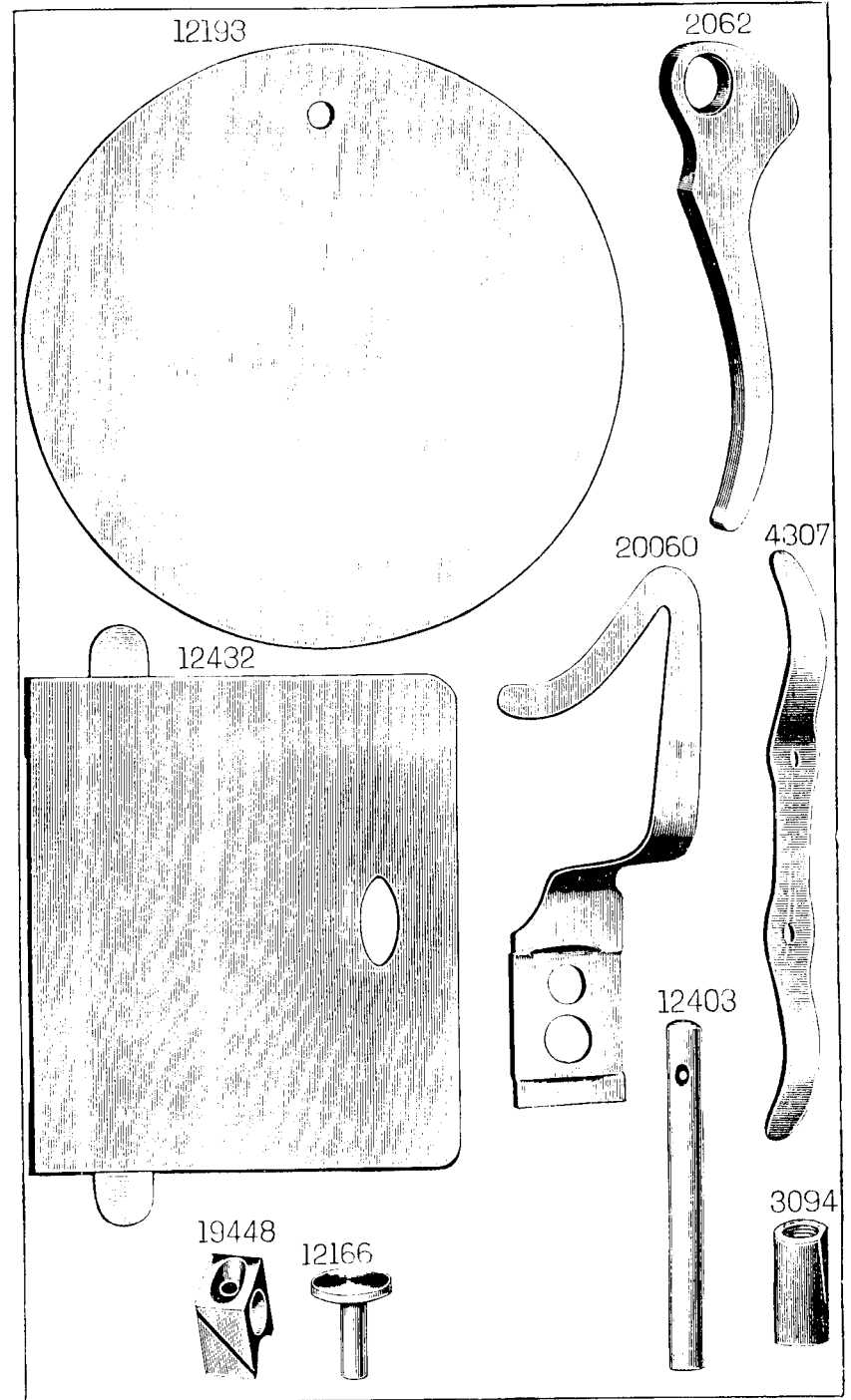
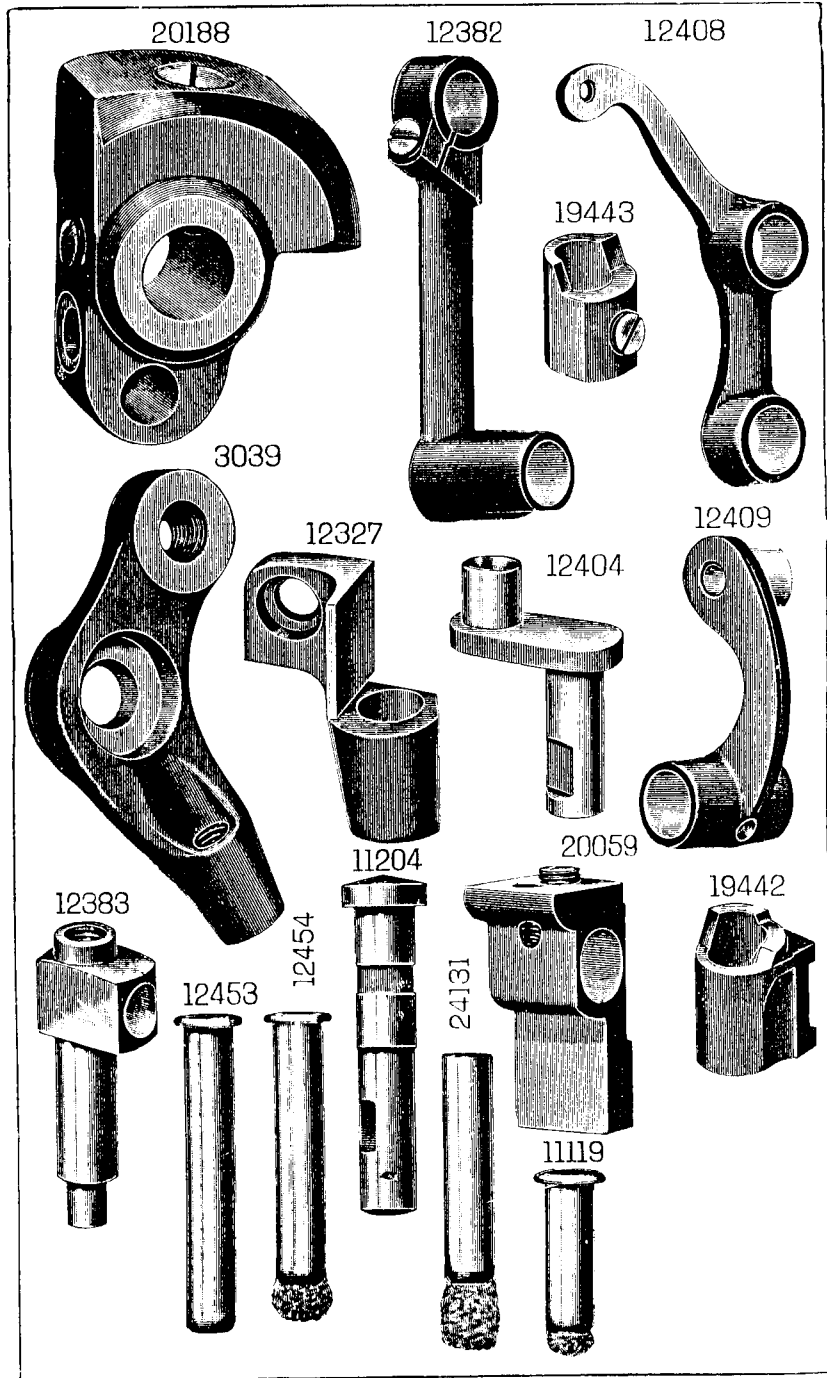
Nos. 31K19, 31K21 and 31K47  
MACHINES

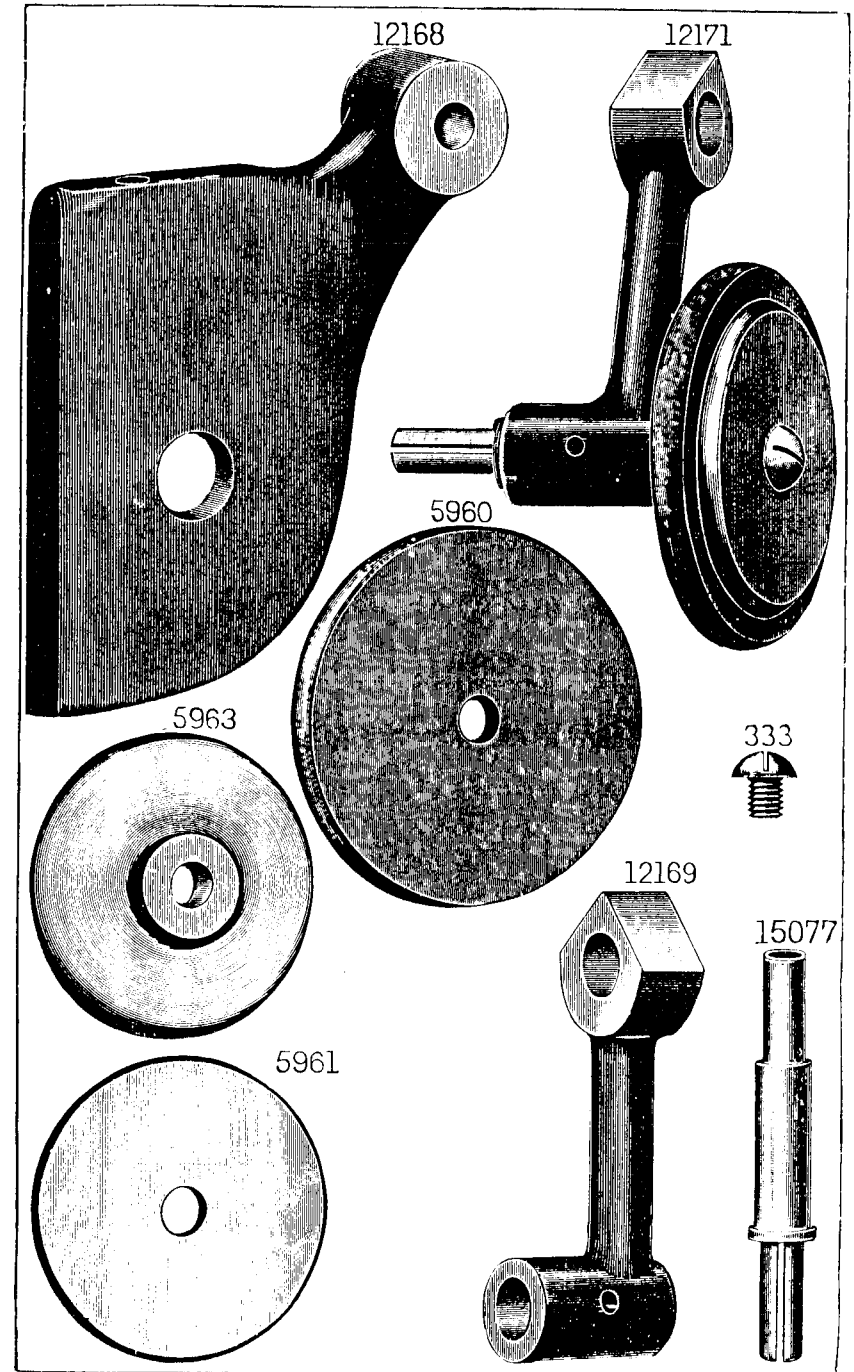
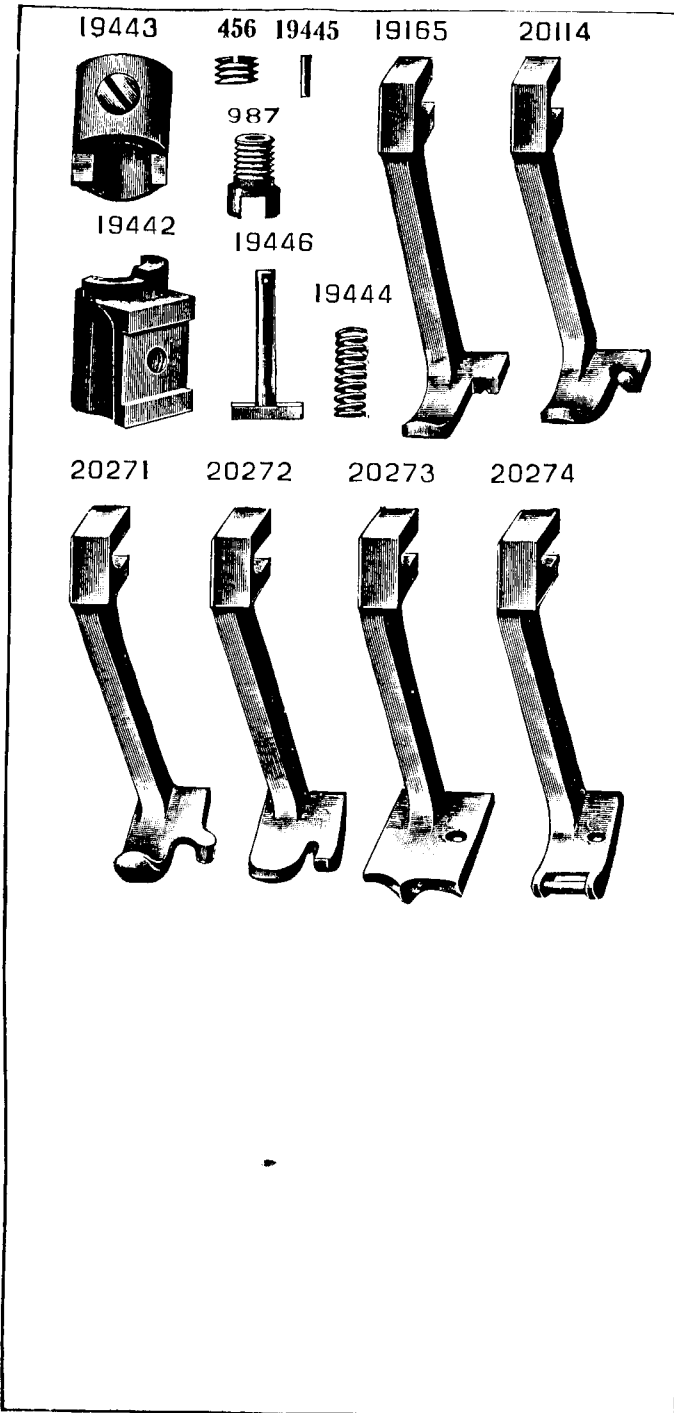


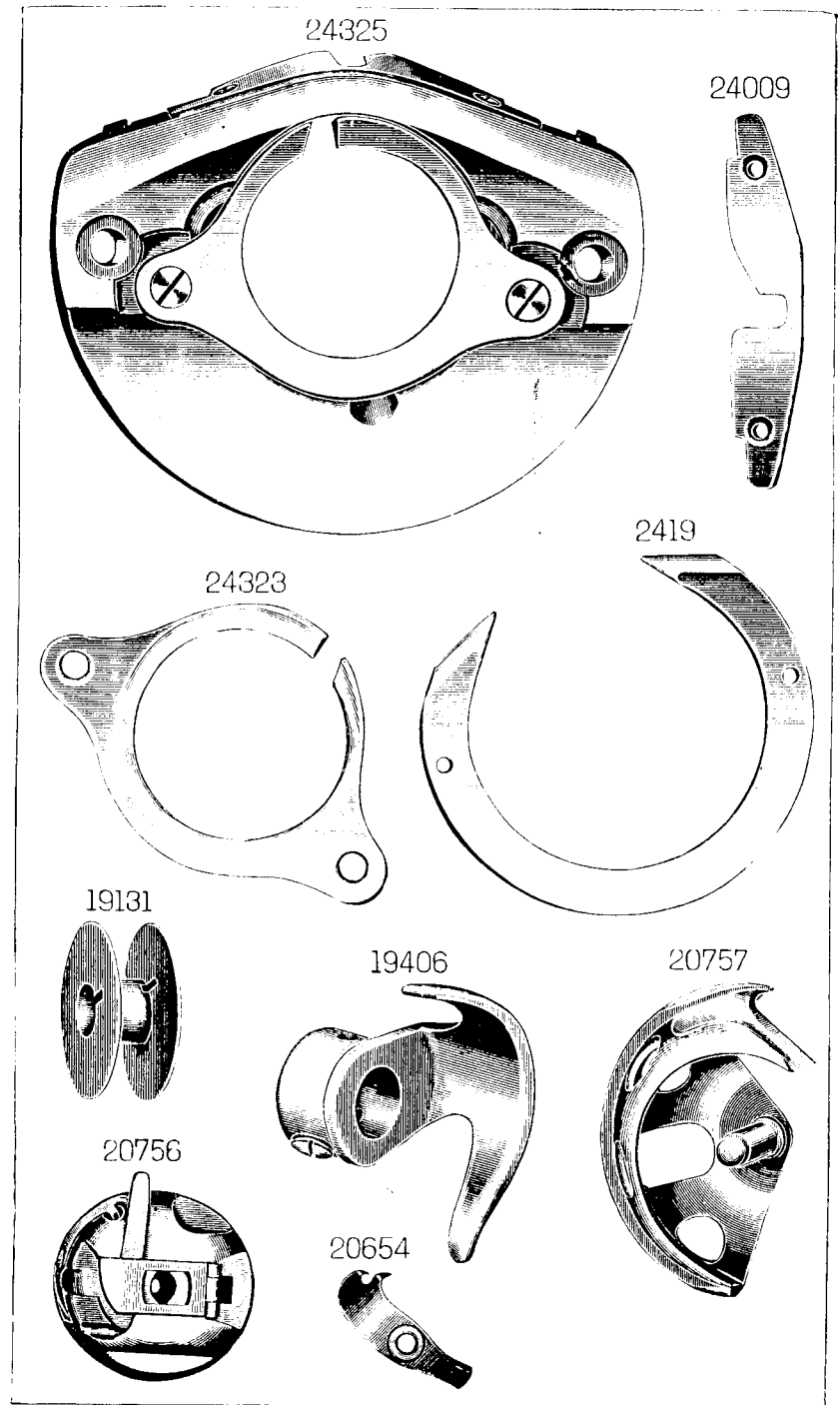
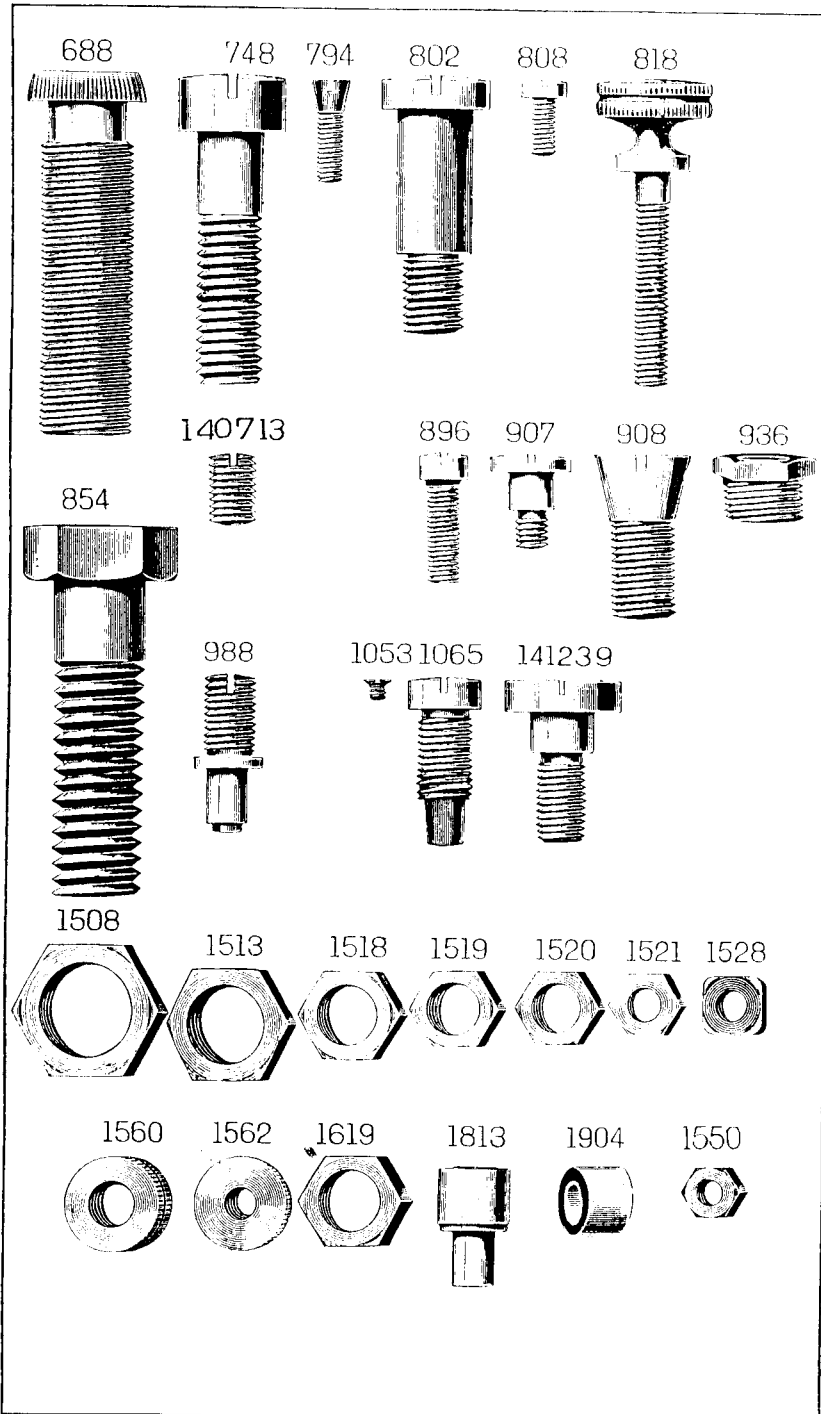
\*\*A Trade Mark of THE SINGER MANUFACTURING COMPANY

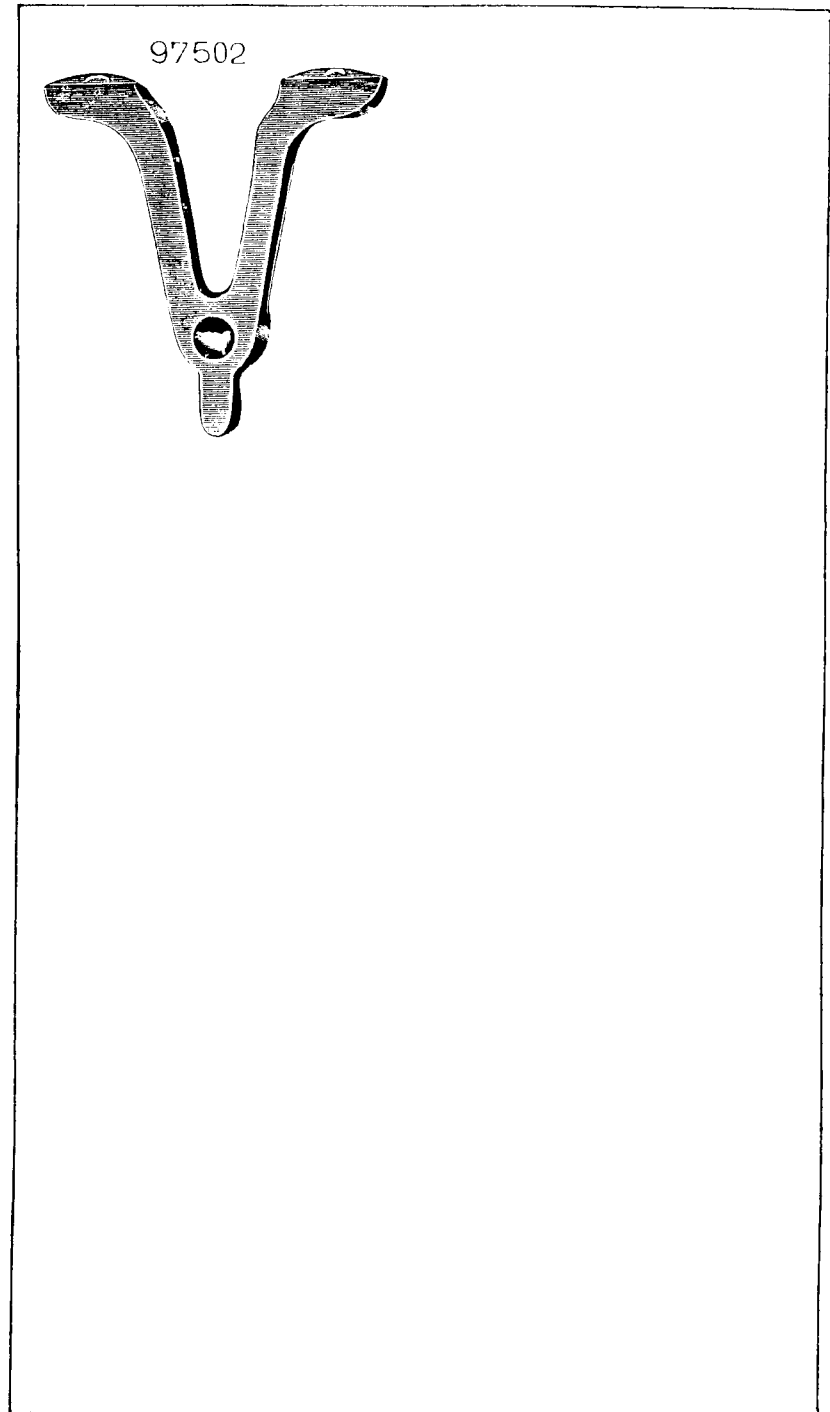
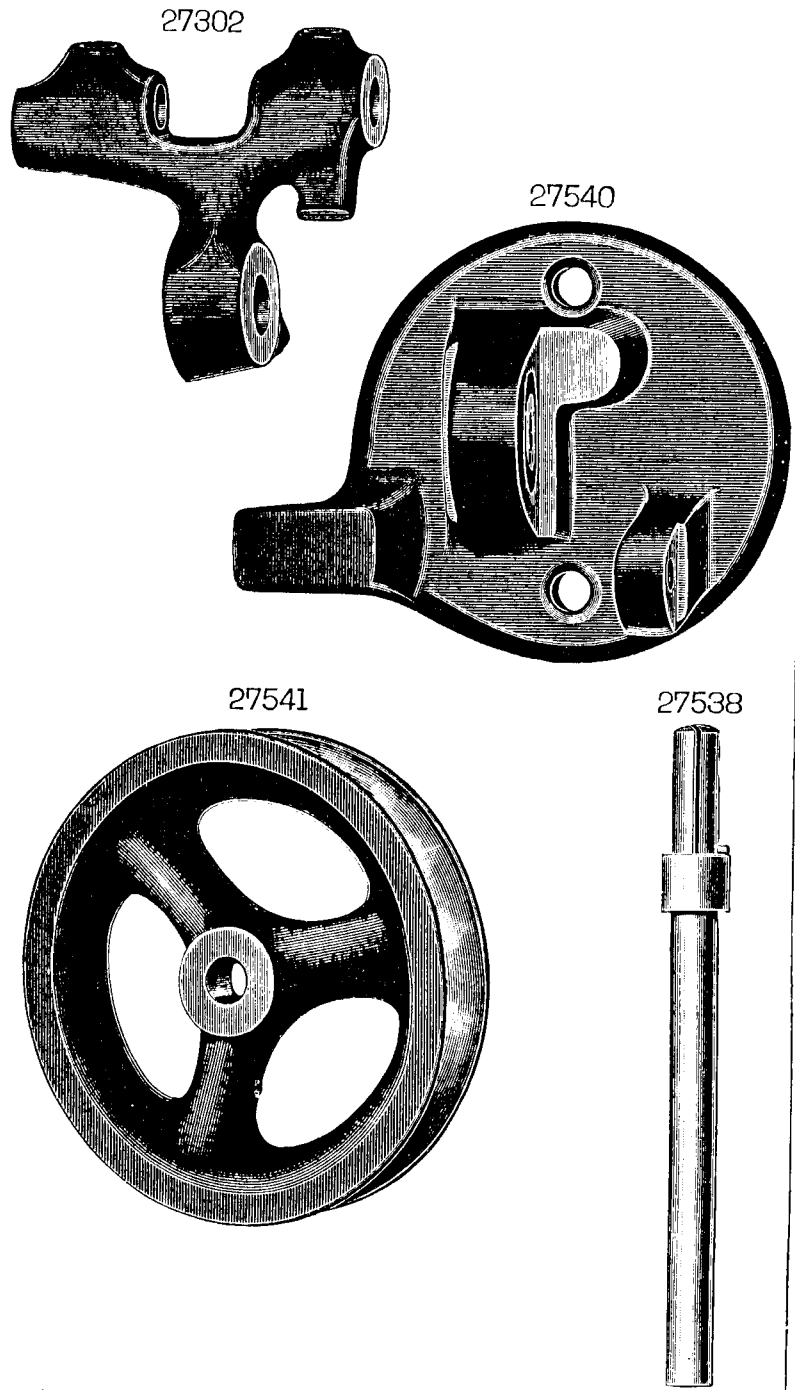




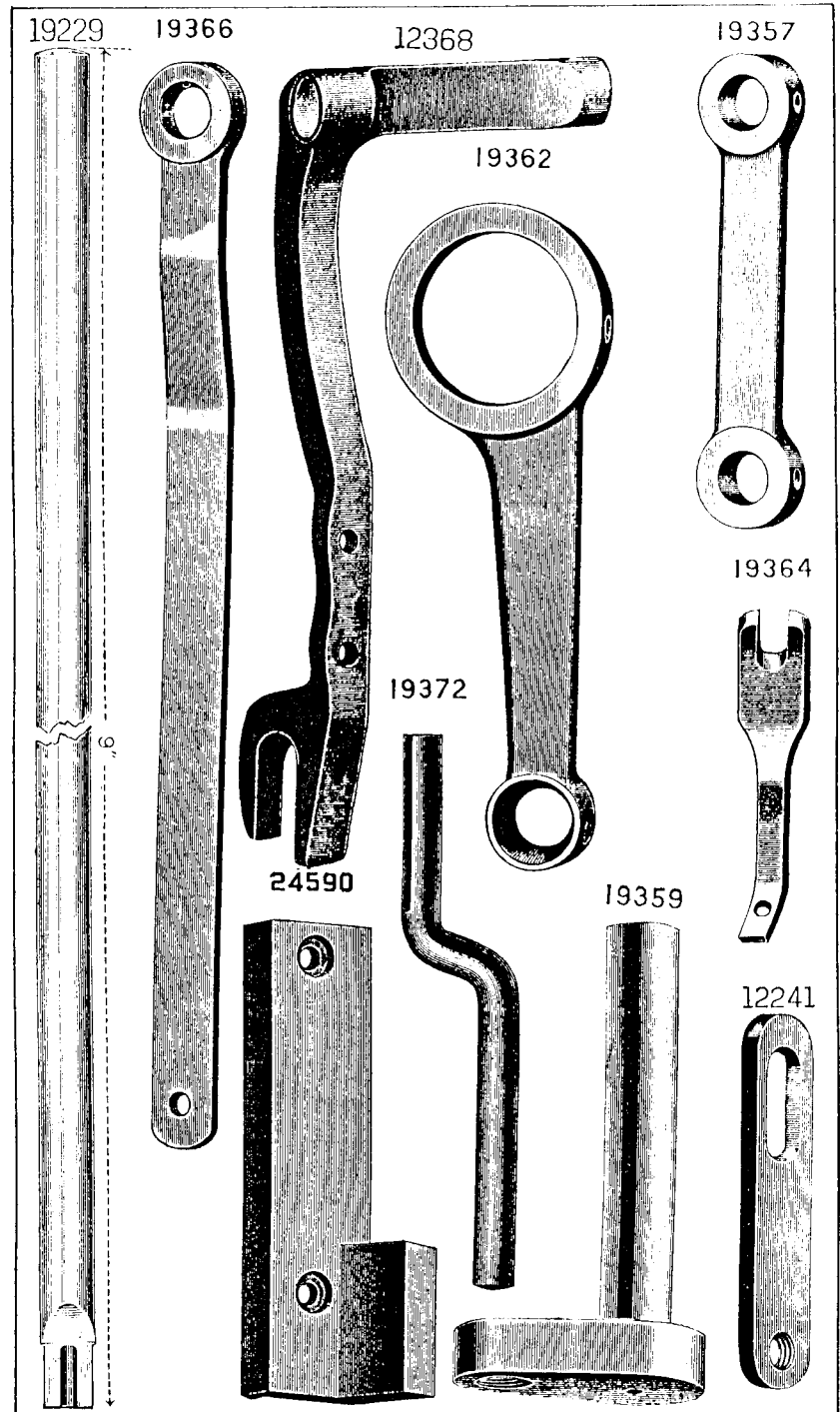
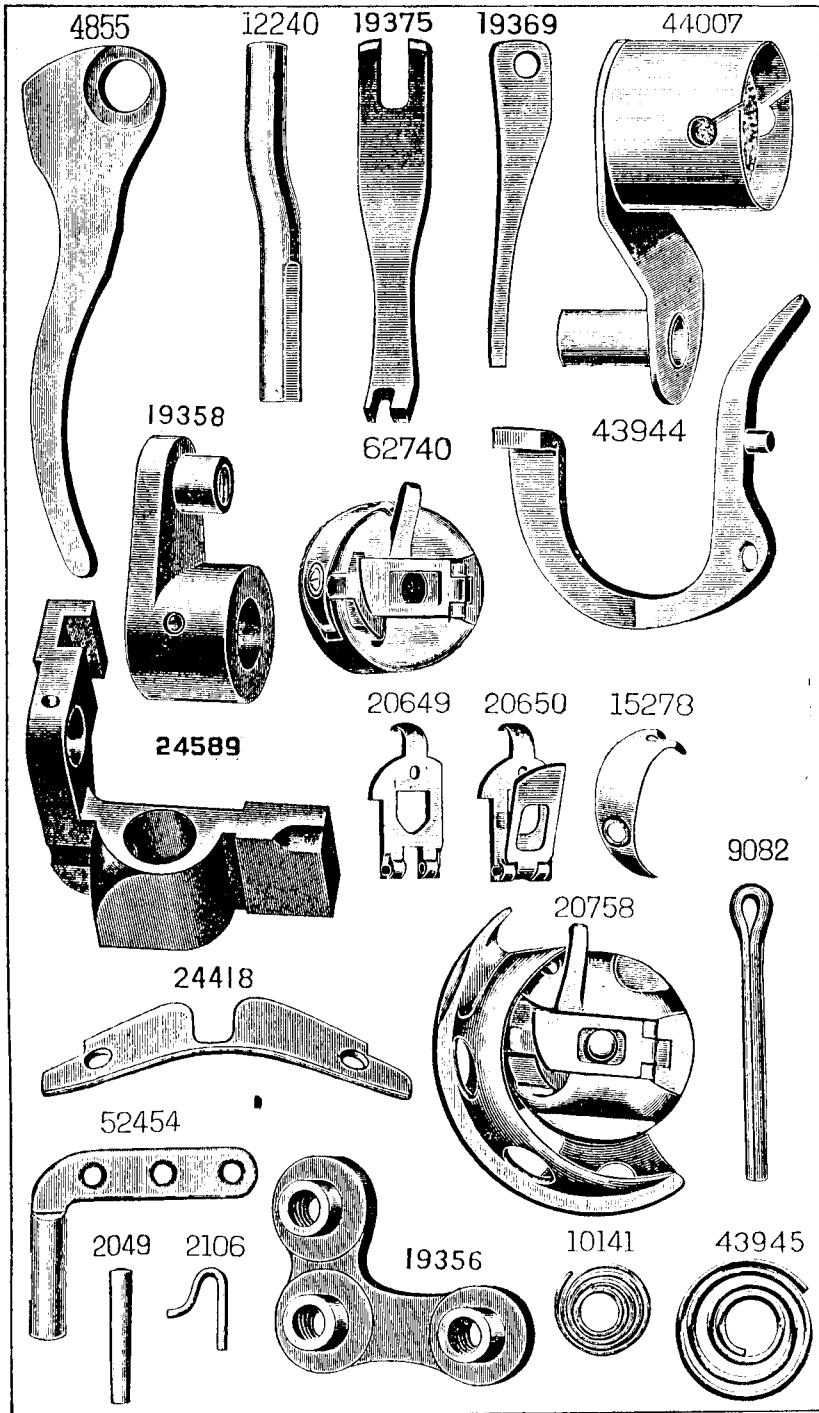


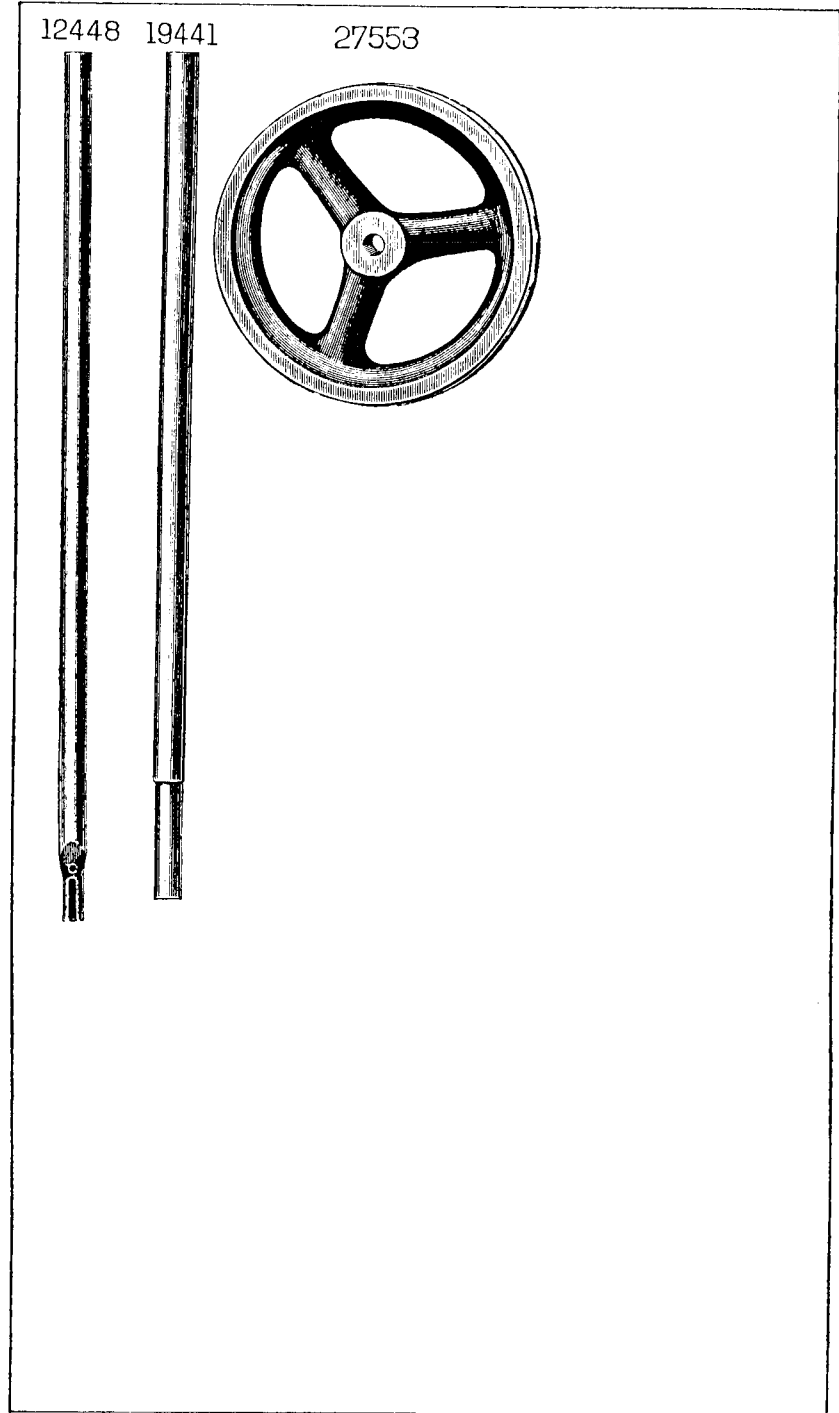
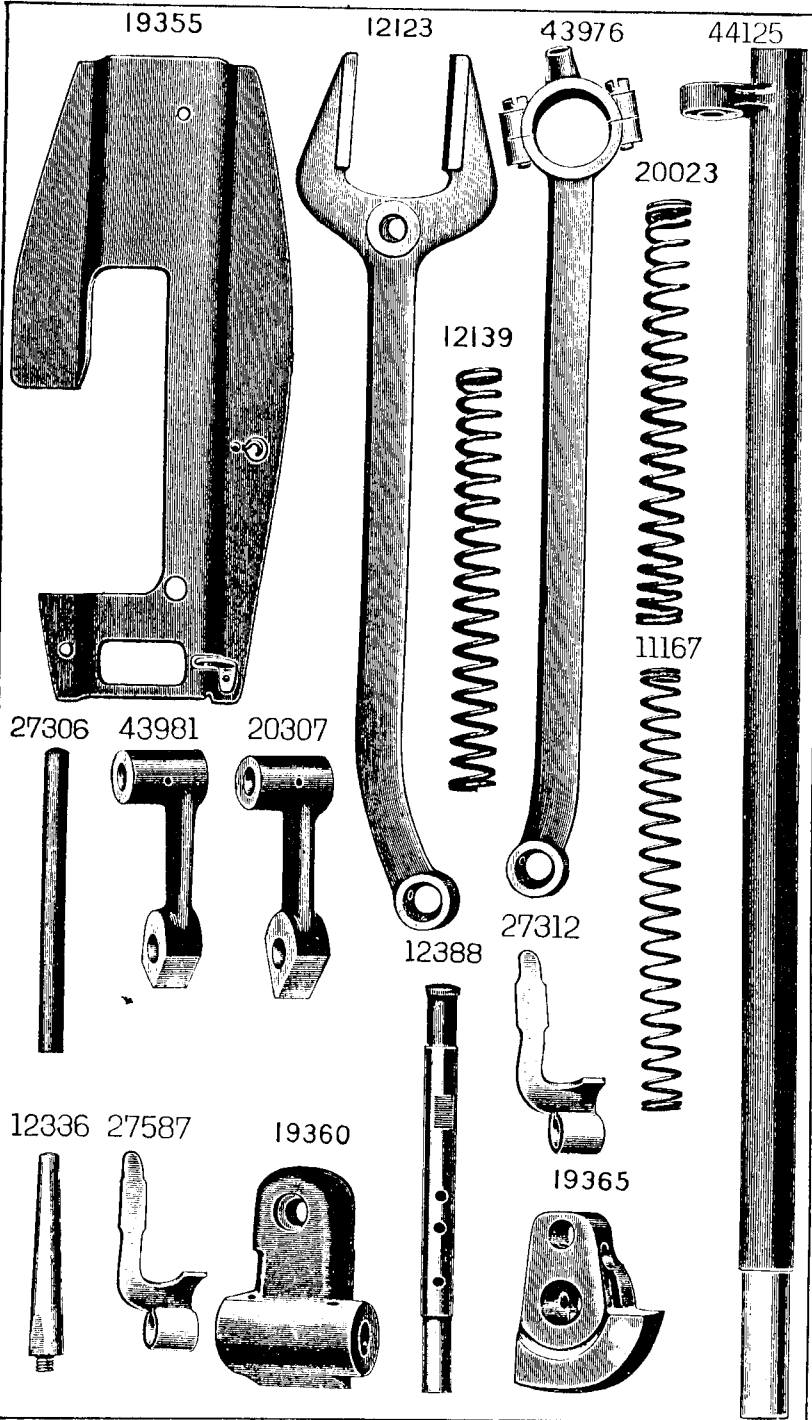


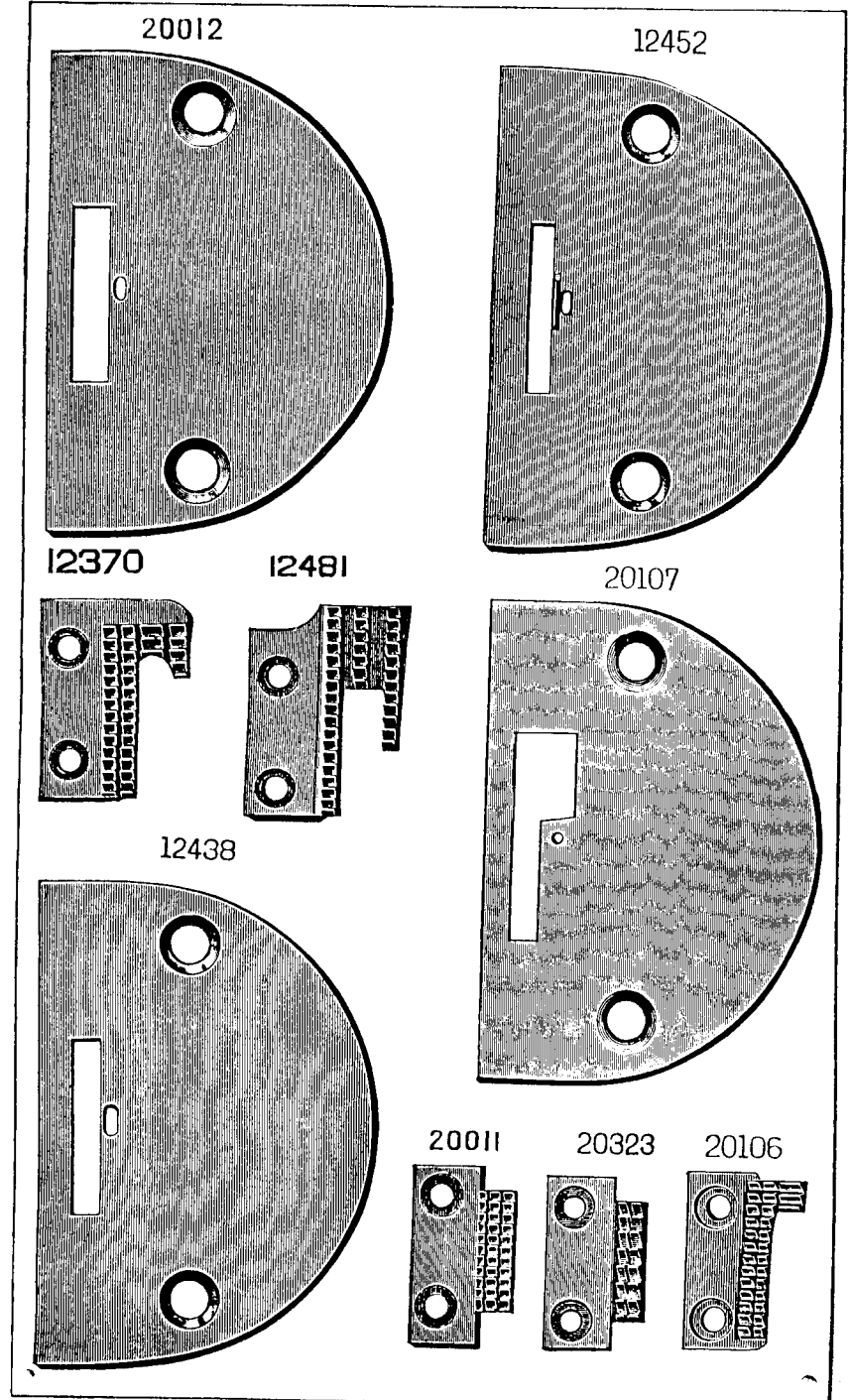
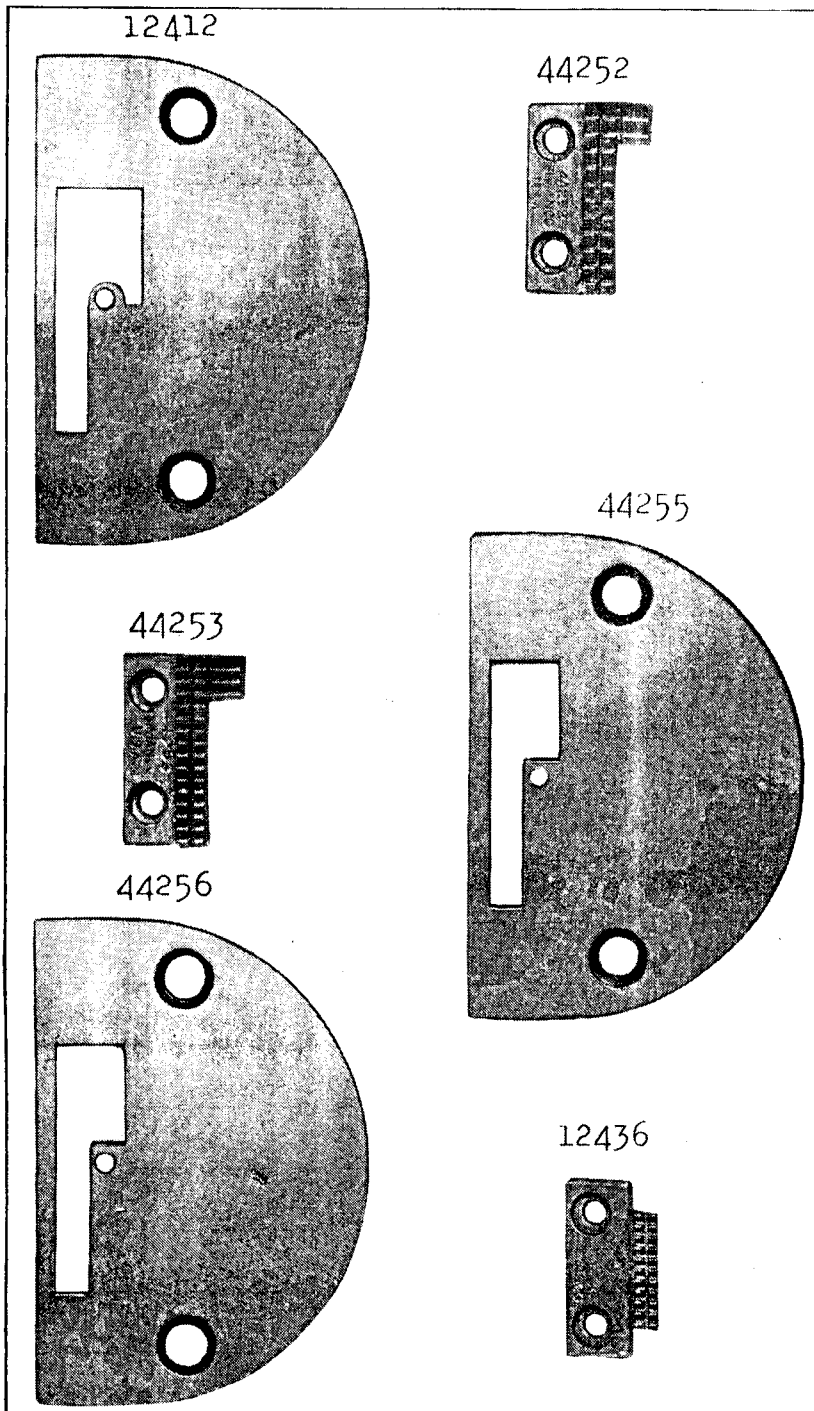


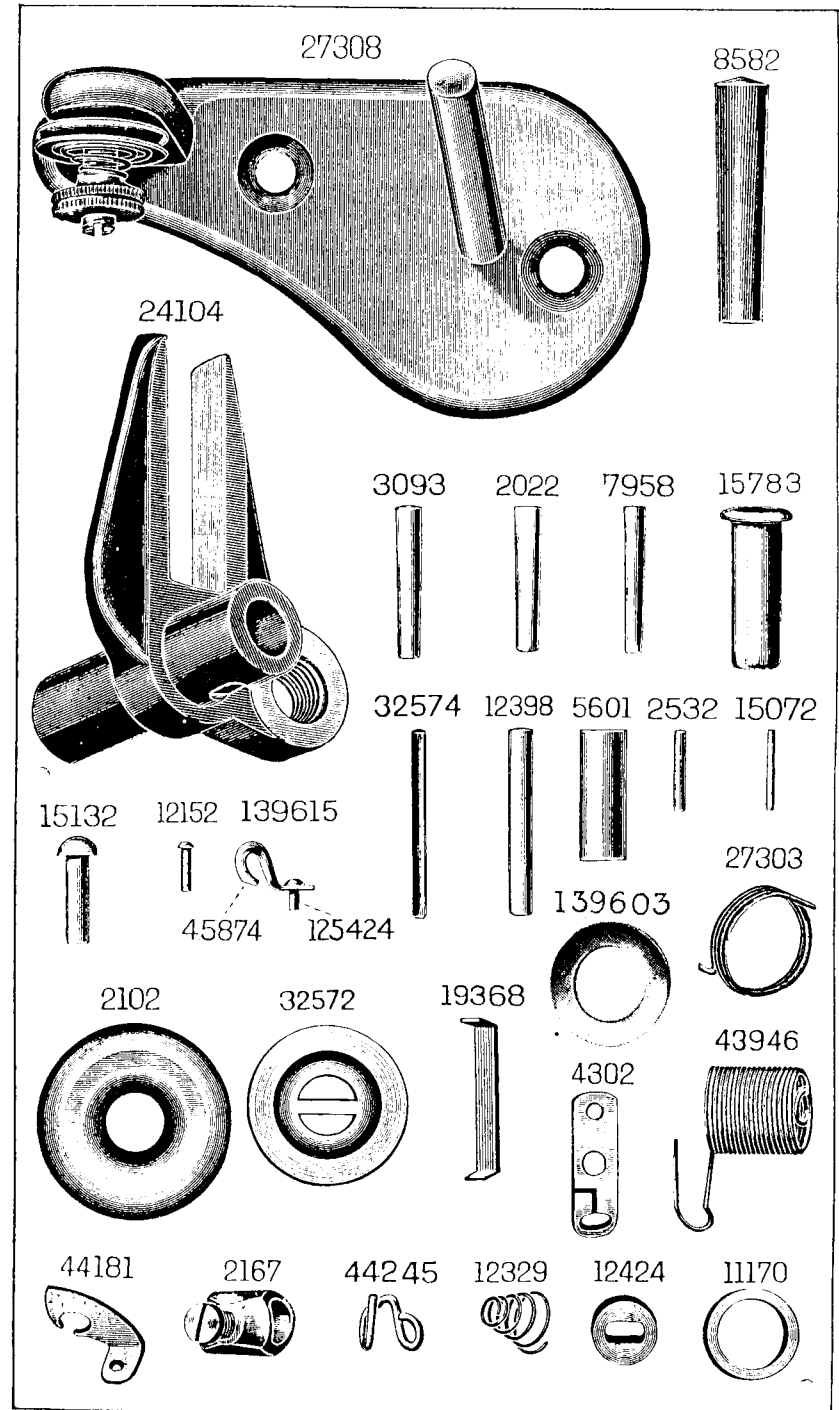
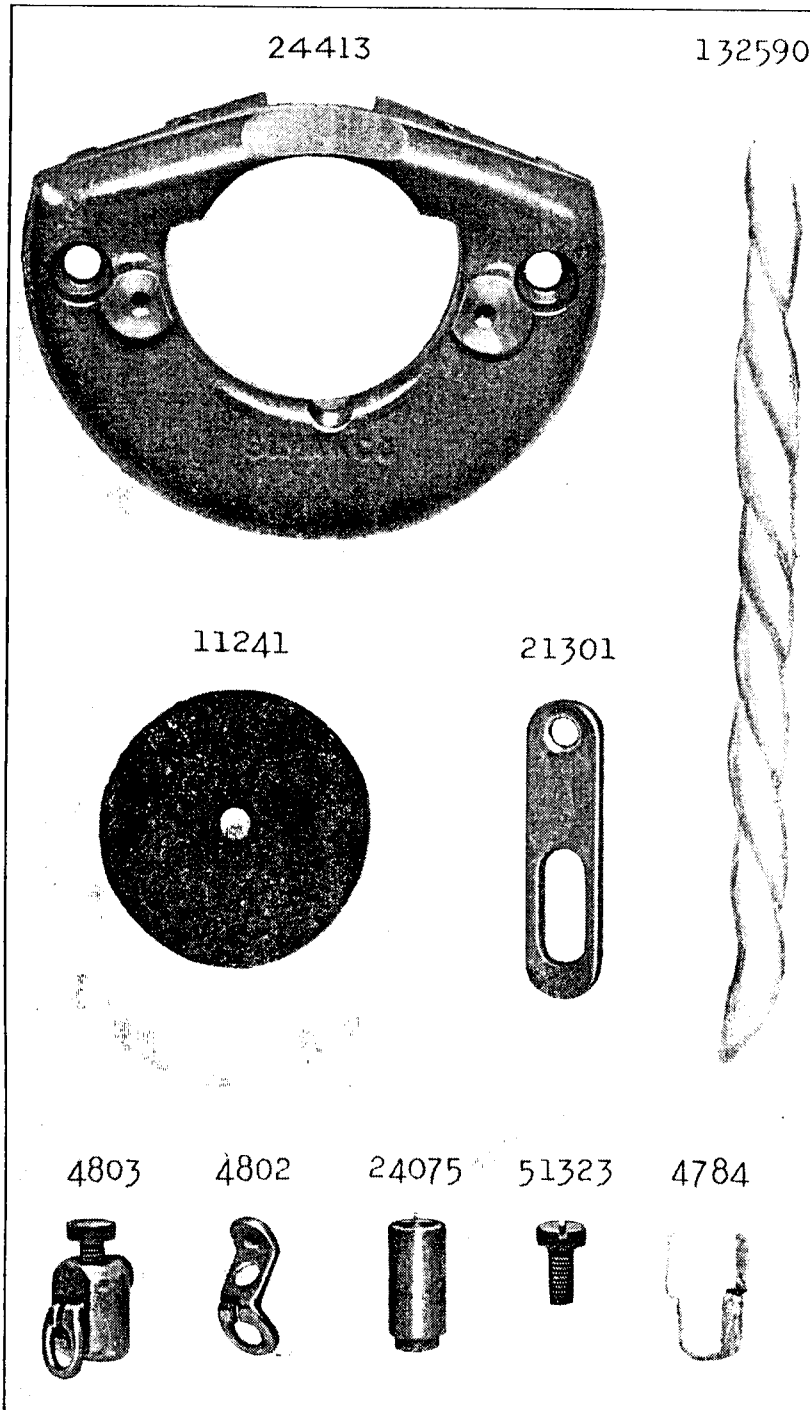


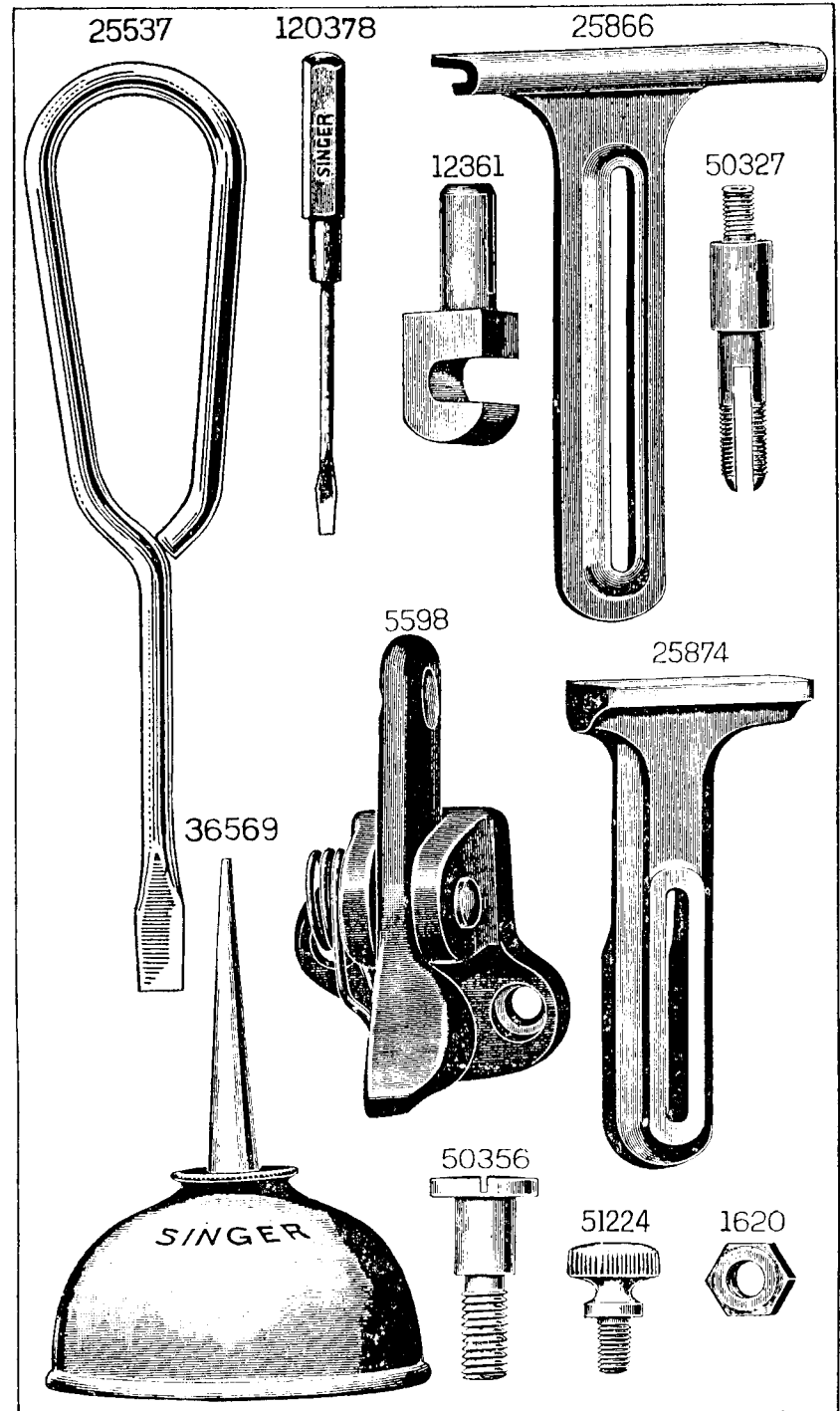
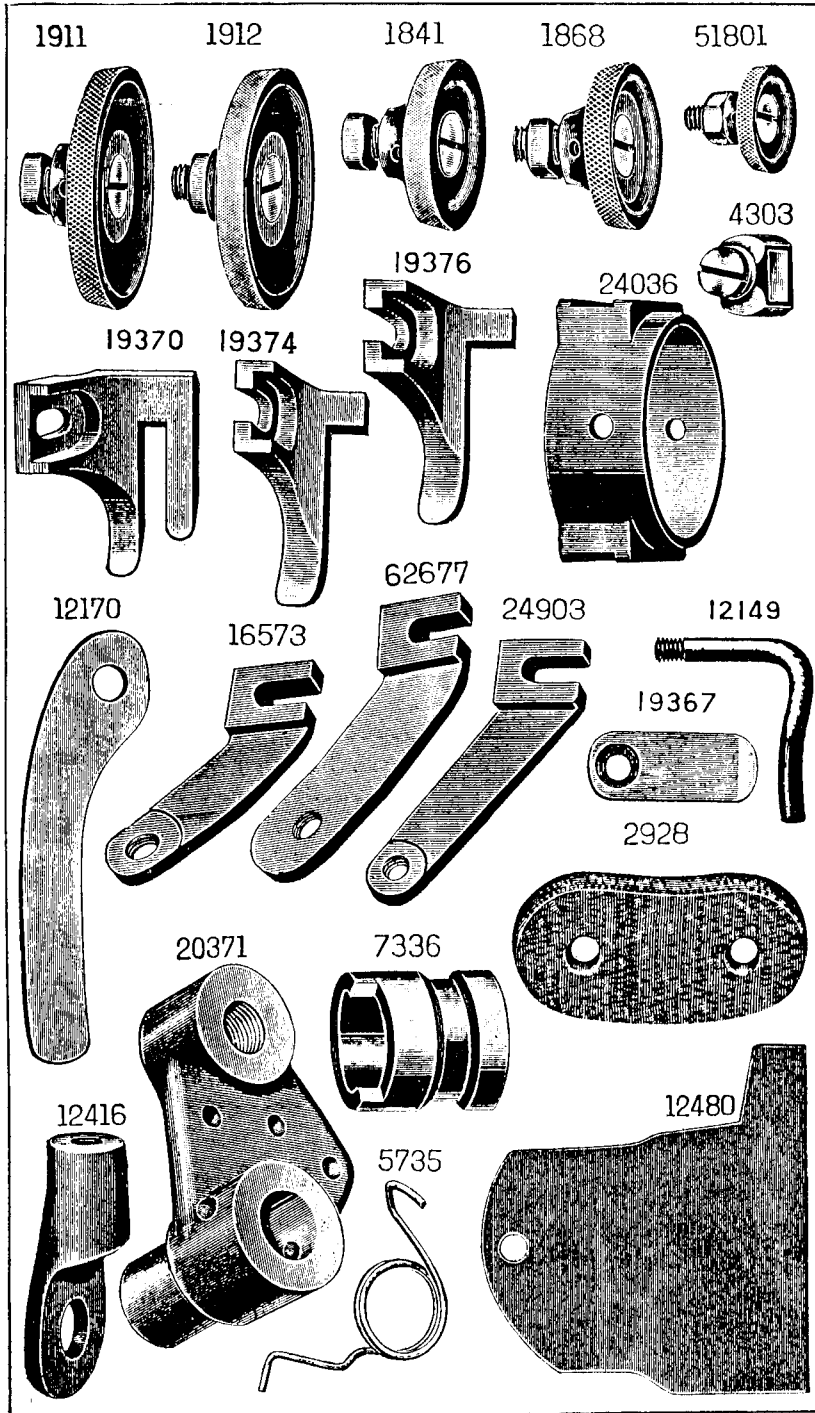


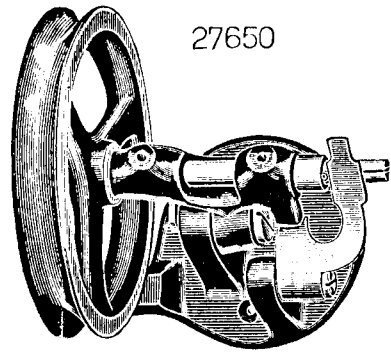




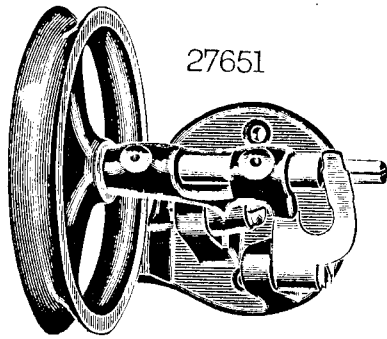




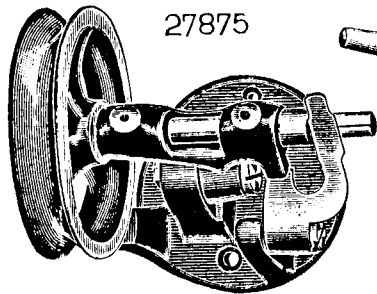




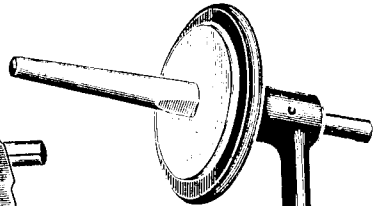
27650



27651

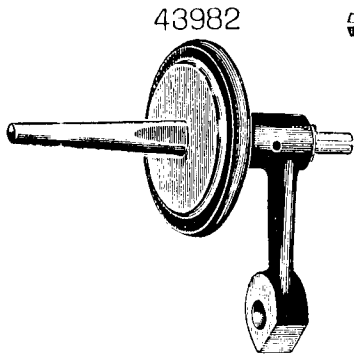
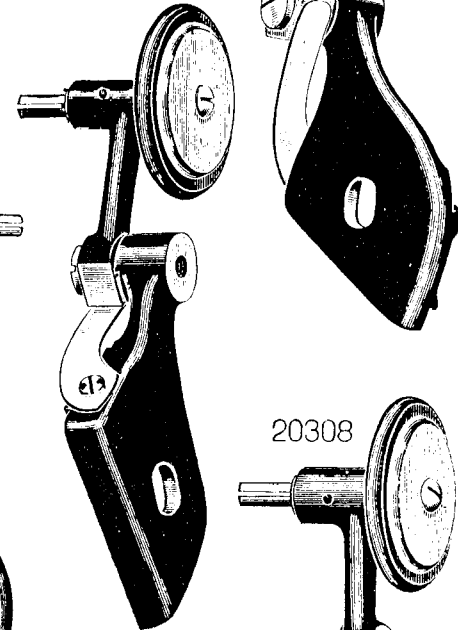


27875

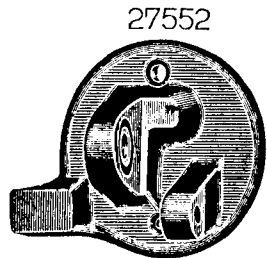


12337

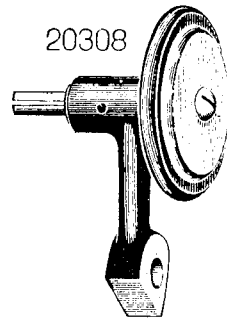
12172



43982



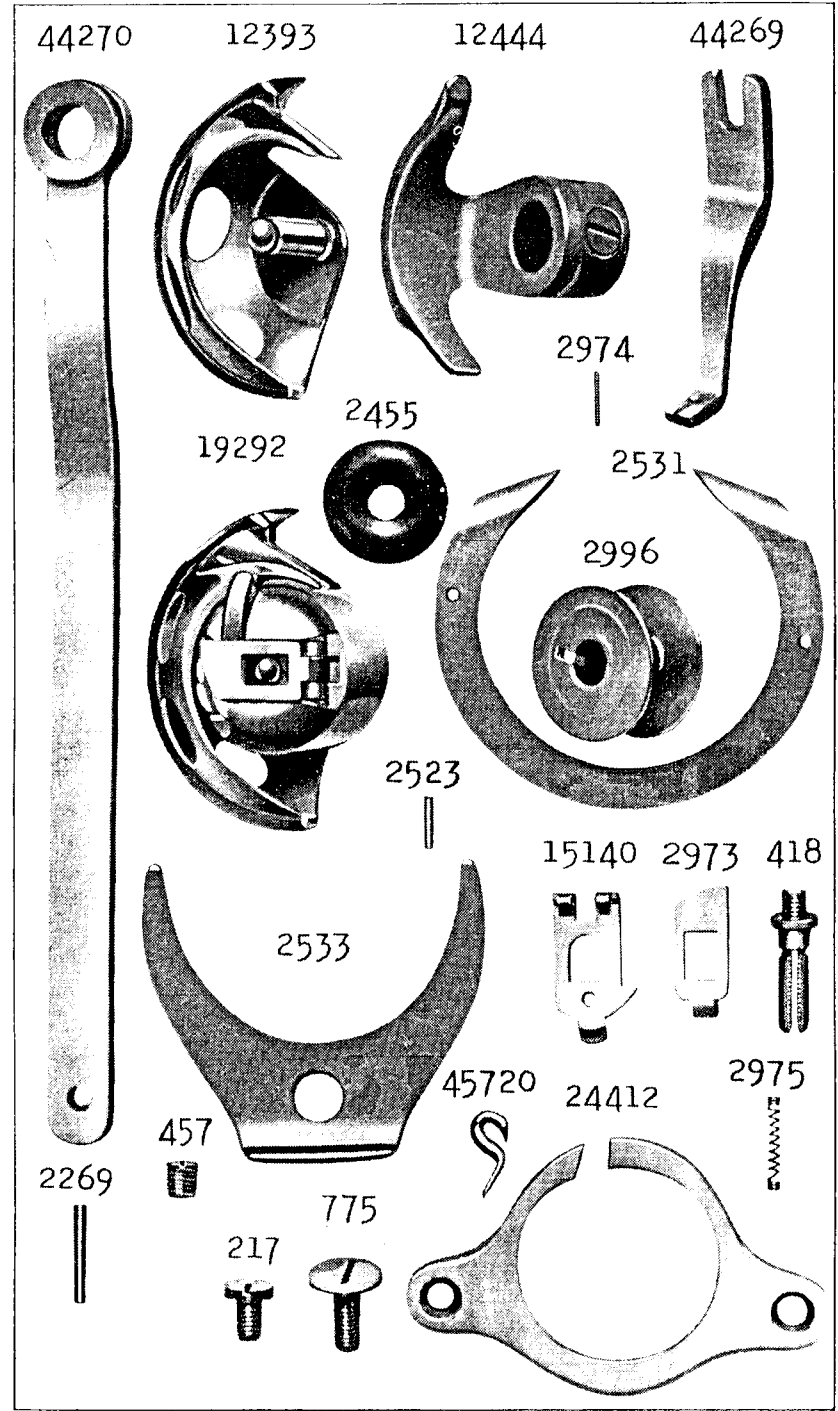
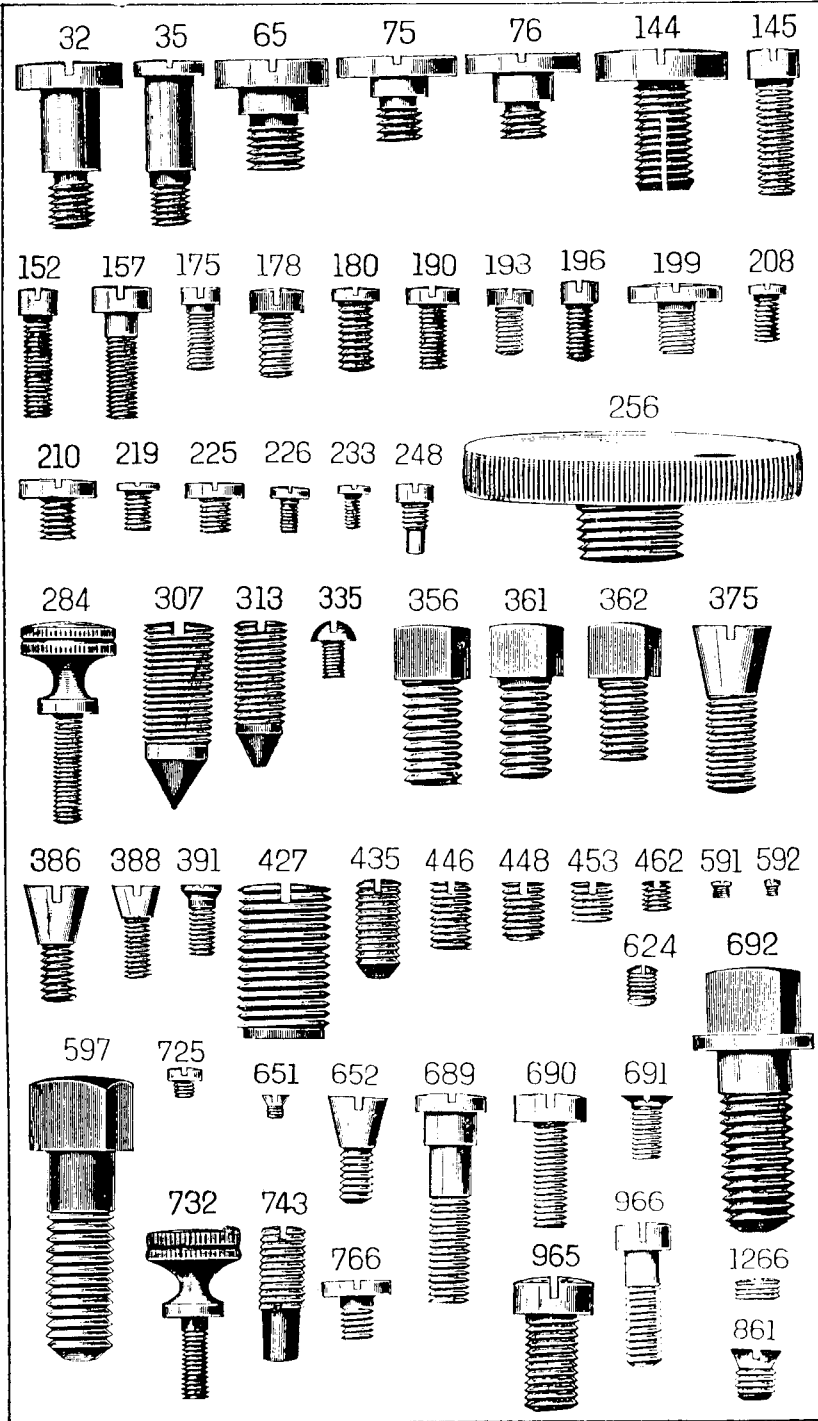
27552



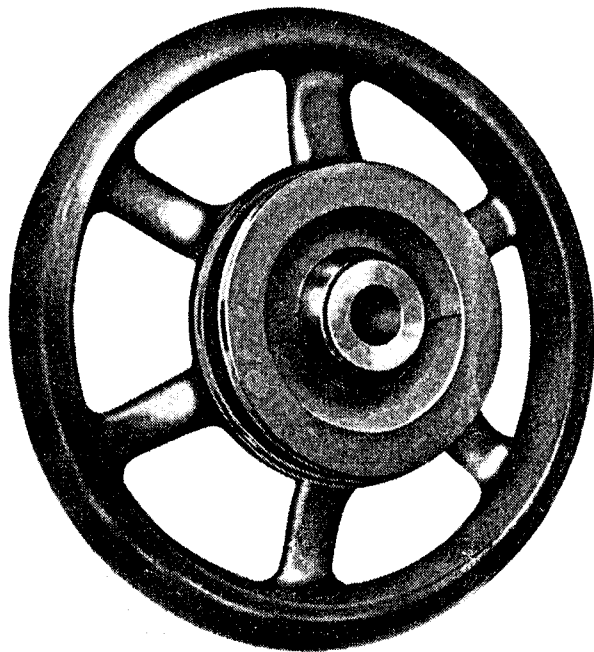
20308

20340

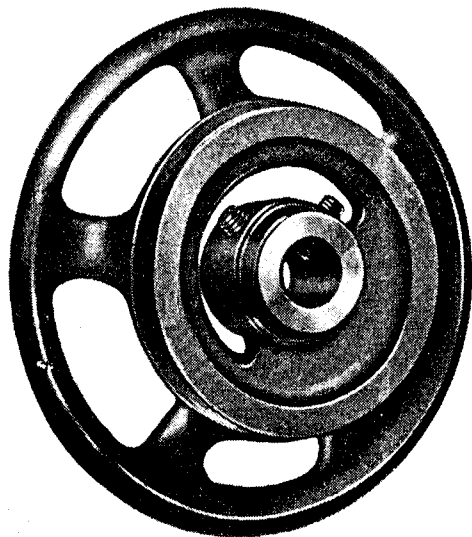




56898



139631





# INSTRUCTIONS FOR ORDERING

In ordering from this List, the prefix and affix letters with the part number MUST BE quoted exactly as they are shown in the first column.

A number always indicates the same part in whatever List it may appear, or for whatever machine.

The affix letters (where shown) indicate the style of finish, as follows:—

- A. Hardened, Polished, Nickel Plated and Buffed.
- B. Polished, Nickel Plated and Buffed.
- C. Hardened only.
- D. Polished only.
- E. Soft, Not Polished.
- F. Hardened and Polished.
- G. Bright Rumbled and Nickel Plated.
- H. Blued.
- J. Nickel Plated only.
- K. Hardened and Nickel Plated.
- L. Brass Plated.
- M. Oxidized.
- R. Phosphate Coating Formed on Surface of Iron or Steel.
- S. Cadmium Plated.
- T. Copper Plated.
- U. Zinc Plated.
- V. Silver Plated.
- W. Polished and Nickel Plated.
- X. Black Oxide for Iron and Steel.
- Y. Black Nickel Plated only.
- Z. Chromium Plated.
- A.A. Buffed and Chromium Plated.
- A.B. Hardened, Polished, Buffed and Chromium Plated.
- A.E. Hardened, Bright Rumbled and Nickel Plated.
- A.F. Hardened, Bright Rumbled, Nickel Plated, Bright Rumbled and Chromium Plated.
- A.G. Alumilite (Plain).
- A.H. Alumilite (Dyed). Colour must be stated.
- A.J. Polished, Nickel Plated and Chromium Plated.
- A.K. Hardened, Polished, Nickel Plated and Chromium Plated.
- A.L. Heat Treated for Toughness.
- A.L.D. Heat Treated for Toughness and Polished.
- A.L.X. Heat Treated for Toughness and Black Oxide.
- A.S. Black Moulded Phenolic.
- A.T. Beige Moulded Phenolic.
- A.U. Brown Moulded Phenolic.
- A.W. Hardened then Flame Coated with Tungsten Carbide.
- C.R. Hardened and Phosphate Coating Formed on Surface of Steel.
- F.J. Hardened, Polished and Nickel Plated.
- T.A. Hardened, Polished, Copper and Nickel Plated and Buffed.
- T.B. Copper and Nickel Plated and Polished.
- T.J. Copper and Nickel Plated only.
- T.K. Hardened, Copper and Nickel Plated.
- T.L. Copper and Brass Plated.
- T.M. Copper Plated and Oxidized.
- X.C. Hardened and Black Oxide for Iron and Steel.
- Z.A. Hardened, Polished, Nickel Plated, Buffed and Chromium Plated.
- Z.B. Polished, Nickel Plated, Buffed and Chromium Plated.
- Z.C. Hardened and Chromium Plated.
- Z.D. Polished and Chromium Plated.
- Z.G. Bright Rumbled, Nickel Plated, Bright Rumbled and Chromium Plated.
- Z.J. Nickel and Chromium Plated.
- Z.T. Copper and Chromium Plated.

Parts marked with an asterisk(\*) are furnished only when the repairs are made at Factory.

## PARTS COMPLETE FOR No. 31K19 MACHINE (OBSOLETE)

### DROP FEED.

For Enamelled or Plain Cloth, Light Leather and Fabrics of uneven thickness.

No.	Plate				
*20339	—	Arm with 11104, 12453, 12454, 24131 and two 11119	...	...	...
8582	2169	" Dowel Pin (2)	...	...	...
12453	540	" Oil Tube for Intermediate Bearing	...	...	...
12454	540	" " " with 132590 for Oiling 12409	...	...	...
15783	2169	" " " (front of arm)	...	...	...
11119	540	" " " ( " " " ) 15783 with 52045 for Oiling 12408 and 19365	...	...	...
24131	540	" " " with 52045 for Oiling 20283	...	...	...
52045	—	" " " Packing (Cotton Wick)	...	...	...
132590	2168	" " " " (Braided Cotton) for 12454	...	...	...
748e	567	" Screw (back) (2)	...	...	...
854e	567	" " (front) (2)	...	...	...
12427	535	Arm Shaft	...	...	...
*11104	539	" " Bushing (front)	...	...	...
12357	539	" " Flanged Bushing (back)	...	...	...
448c	2174	" " " " ( " ) Set Screw	...	...	...
144c	2174	" " Screw	...	...	...
12193	544	" Side Cover	...	...	...
51224d	2171	" " " Thumb Screw	...	...	...
12403	544	" Spool Pin and Thread Eyelet (2)	...	...	...
11241	2168	" " " Washer (cloth)	...	...	...
*12360	—	Bed	...	...	...
256w	2174	Clamp Stop Motion Clamp Screw	...	...	...
248a	2174	" " " " Stop Screw	...	...	...
2020	539	" " " " Washer	...	...	...
*3023	—	" " " Flanged Bushing	...	...	...
4933	539	" " " " " 3023 with two 462al	...	...	...
2022	2169	" " " " " Pin	...	...	...
462al	2171	" " " " " Set Screw	...	...	...

No.	Plate	
3022j	—	<b>Clamp Stop Motion</b> , complete, Nos. 248a, 256w, 2020 and 4933
20197	535	<b>Crank Connecting Rod</b> with 20198, 125044 and two 896e ...
*20198	—	" " " " Cap ...
896e	567	" " " " Screw ...
908c	567	" " " " Hinge Screw ...
1619e	567	" " " " " Nut ...
125044	—	" " " " Oil Pad (felt) ...
19354	—	<b>Face Plate</b> ...
44181	2169	" " Thread Guard (lower) ...
12150	—	" " " " ( " ) 44181 with 12152 ...
12152	2169	" " " " ( " ) Rivet ...
45874	2169	" " " " (upper) ...
139615	2169	" " " " ( " ) 45874 with 125424 ...
125424	2169	" " " " ( " ) Rivet ...
19355	2164	<b>Face Plate</b> , complete, Nos. 12150, 19354 and 139615 ...
219d	2174	" " Screw (2) ...
12368	2163	<b>Feed Bar</b> ...
313c	2174	" " Screw Centre (2) ...
1519e	567	" " " " Nut (2) ...
52165	539	<b>Feed Connecting Link</b> ...
375c	2174	" " " " Hinge Screw (2) ...
1518e	567	" " " " " Nut (2) ...
44252	2166	<b>Feed Dog</b> , for Cloth, 12 Teeth (12 Teeth to the inch) ...
20106	2167	" " " " 13 Teeth (16 Teeth to the inch) ...
12370	2167	" " " " 15 Teeth (16 Teeth to the inch) ...
44253	2166	" " " " 16 Teeth (16 Teeth to the inch) ...
43979	—	" " " " 21 Teeth (22 Teeth to the inch) ...
208a1	2174	" " Screw (2) ...

NOTE: No. 12370 is sent with this Machine, unless otherwise specified on order.

20283	539	<b>Feed and Feed Lifting Eccentric</b> with 446c ...
446c	2174	" " " " " Set Screw ...
24036	2170	" " " " " Sleeve ...
20284	535	<b>Feed Forked Connection</b> ...
375c	2174	" " " " Hinge Screw ...
1518e	567	" " " " " Nut ...
43993	—	<b>Feed Forked Connection</b> , complete, Nos. 20284, 52165, 56886, two each 375c and 1518e

No.	Plate	
44125	2164	<b>Feed Lifting Rock Shaft</b> ...
12376	539	" " " " Crank with 157c and 1813 ...
157c	2174	" " " " " Clamping Screw ...
1813	567	" " " " " Roller and Stud ...
44126	—	<b>Feed Lifting Rock Shaft</b> , complete, Nos. 12376 and 44125 ...
43976	2164	" " " " Crank Connecting Rod with 43977 and two 966e ...
*43977	—	" " " " " Cap Screw ...
966e	2174	" " " " " Screw ...
375c	2174	" " " " " Hinge Screw ...
1518e	567	<b>Feed Lifting Rock Shaft</b> Crank Connecting Rod Hinge Screw Nut
307c	2174	" " " " Screw Centre (2) ...
1513j	567	" " " " " Nut (2) ...
3039	510	<b>Feed Regulator</b> ...
56886	—	" " 3039 with 818d ...
140139e	567	" " Hinge Screw ...
139603	2169	" " " " Friction Washer ...
818d	567	" " Thumb Screw ...
12379	535	<b>Feed Rock Shaft</b> ...
29633	539	" " " " Crank with 157c ...
157c	2174	" " " " " Clamping Screw ...
307c	2174	" " " " Screw Centre (2) ...
1513j	567	" " " " " Nut (2) ...
20333	—	<b>Feed Rock Shaft</b> , complete, Nos. 12379 and 29633 ...
25874	2171	<b>Guide</b> for Raised Throat Plates ...
25866	2171	" " Flush Throat Plates ...
284d	2174	" Thumb Screw for 25874 ...
732d	2174	" " " " 25866 ...
12391	535	<b>Lifting Presser Bar</b> (hollow) ...
19356	2162	" " " " Bell Crank ...
199d	2174	" " " " " Cap Screw ...
19357	2163	" " " " " Connecting Link ...
199d	2174	" " " " " " Cap Screw ...
19358	2162	" " " " " Driving Arm ...
19362	2163	" " " " " " Eccentric Connection
62637	—	" " " " " " Connection 19362 with 19365

No.	Plate	
375c	2174	<b>Lifting Presser Bar</b> Bell Crank Driving Arm Eccentric Connection Hinge Screw
1518j	567	" " " Bell Crank Driving Arm Eccentric Connection Hinge Screw Nut
2049	2162	" " " Bell Crank Driving Arm Pin
19359	2163	" " " " " " " Shaft
19360	2164	" " " " " " " Bracket
19361	-	<b>Lifting Presser Bar</b> Bell Crank Driving Arm Shaft Bracket, complete, Nos. 2049 and 19358 to 19360
965d	2174	<b>Lifting Presser Bar</b> Bell Crank Driving Arm Shaft Bracket Screw
24589	2162	" " " Guide Bracket with 453c
453c	2174	" " " " " Set Screw
24590	2163	" " " " " Support
175j	2174	" " " " " Screw
24716	-	<b>Lifting Presser Bar</b> Guide Bracket, complete, Nos. 19356, 19357, 19366, 24589 and three 199d
4855	2162	<b>Lifting Presser Bar Lifter</b>
689c	2174	" " " " " Screw
1520j	567	" " " " " Nut
12327	540	" " " " " Lifting and Releasing Lever Bracket
11167	2164	" " " " " Spring (light)
12139	2164	" " " " " (medium)
20023	2164	" " " " " (heavy)
11170	2169	" " " " " Washer
<i>NOTE.—No. 11167 is sent with this Machine, unless otherwise specified on order.</i>		
19364	2163	<b>Lifting Presser Foot</b>
19375	2162	" " " " "
193j	2174	" " " " " Screw
<i>NOTE.—No. 19364 is sent with this Machine, unless otherwise specified on order.</i>		
139631	2619	<b>Machine Pulley</b> (power) "V" belt groove (diam. of belt groove 2.9") with two 140713al
56898	2619	" " (heavy rim) "V" belt groove (diam. of belt groove 2.9") with two 435al
2862	535	" " (stand) heavy rim, 3" Pulley, for 3022j
2135	535	" " (stand) heavy rim, 2½" Pulley, for 3022j
24297	536	" " Oil Cover for 2135 and 2862
210d	2174	" " " " " Screw
140713al	567	" " Set Screw for 139631
435al	2174	" " " " " 56898

*NOTE.—No. 139631 is sent with this Machine, unless otherwise specified on order.*

No.	Plate	
12381	535	<b>Needle Bar</b> (hollow)
12382	540	" " Connecting Link with 794c
43997	-	" " " " 12382 with 12384
794c	567	" " " " Adjusting Screw
*12383	540	" " " " Stud
1904	567	" " " " Roller (roller only)
453c	2174	" " " " Set Screw
12384	-	" " " " 12383 with 453c and 1904
19365	2164	" " Crank and Lifting Eccentric with 448c and 743al
743al	2174	" " " " " " Position Screw
448c	2174	" " " " " " Set Screw
93811	-	" " Lubricating Wick (2)
936e	567	" " Screw Bushing (2)
4302	2169	" " Thread Guard
233d	2174	" " " " " Screw
4303	2170	<b>Needle Clamp</b> with 808f
808f	567	" " " " " Screw
*24104	2169	<b>Oscillating Rock Shaft</b>
12388	2164	" " " " " Hinge Pin
448c	2174	" " " " " " Set Screw
4784	2168	" " " " " Oil Pad
24105	-	<b>Oscillating Rock Shaft</b> , complete, Nos. 4784, 12388 and 24104
139602	-	" " " " " 24105 with 908c
12389	535	<b>Oscillating Shaft</b>
19496	539	" " " " " Crank for 19447
44134	-	" " " " " 44135
3093	2169	" " " " " Pin
457c	2202	" " " " " Set Screw for 19447
453c	2174	" " " " " " " 44135
19448	544	" " " " " Slide Block
226d	2174	" " " " " " " Cap Screw
12424	2169	" " " " " " " Washer
988c	567	" " " " " " " Screw Stud
1518e	567	" " " " " " " Nut
19449	-	<b>Oscillating Shaft</b> Crank Slide Block, complete, Nos. 226d, 988c, 12424 and 19448
*19447	-	<b>Oscillating Shaft</b> Crank, complete, Nos. 457c, 1518e, 19449 and 19496
44135	-	<b>Oscillating Shaft</b> Crank, complete, Nos. 1518e, 19449, 44134 and two 453c
688j	567	<b>Pressure Regulating Thumb Screw</b>

No.	Plate					
2996	2202	<b>Shuttle Bobbin</b>	...	...	...	...
15140	2202	" " Case Latch	...	...	...	...
2973	2202	" " " " Lever	...	...	...	...
2974	2202	" " " " Fulcrum Pin	...	...	...	...
2975	2202	" " " " Spring	...	...	...	...
592c	2174	" " " " Stop Screw	...	...	...	...
15141	—	" " " Hinge, Nos. 2973, 2974 and 15140	...	...	...	...
24412	2202	" " " Position Plate	...	...	...	...
391j	2174	" " " " " Screw	...	...	...	...
62740	2162	" " " with 591f, 592c, 2975, 15141 and 15278	...	...	...	...
12393	2202	<b>Shuttle Body</b>	...	...	...	...
591f	2174	" Tension Regulating Screw...	...	...	...	...
15278	2162	" " Spring	...	...	...	...
19292	2202	<b>Shuttle, 1 1/8" diam., complete, Nos. 2996, 12393 and 62740</b>	...	...	...	...
*12394	—	<b>Shuttle Driver</b>	...	...	...	...
12444	2202	" " 12394 with two 1266c	...	...	...	...
2049	2162	" " Pin	...	...	...	...
1266c	2174	" " Set Screw	...	...	...	...
2531	2202	<b>Shuttle Race Back</b>	...	...	...	...
2532	2169	" " " Position Pin	...	...	...	...
2533	2202	" " " Spring	...	...	...	...
907d	567	" " " " Screw	...	...	...	...
24413	2168	" " Body	...	...	...	...
62502	—	" " " 24413 with 24418 and two 1053d	...	...	...	...
24418	2162	" " Cap	...	...	...	...
1053d	567	<b>Shuttle Race Cap Screw</b>	...	...	...	...
24419	—	<b>Shuttle Race, complete, Nos. 907d, 2531, 2533, 24412, 62502, two each 391j and 2532</b>	...	...	...	...
145d	2174	<b>Shuttle Race Screw (2)</b>	...	...	...	...
12431	—	<b>Shuttle Race Slide</b>	...	...	...	...
4307	544	" " " Spring	...	...	...	...
725e	2174	" " " " Screw	...	...	...	...
12432	544	<b>Shuttle Race Slide, complete, Nos. 4307, 12431 and two 725e</b>	...	...	...	...
20060	544	<b>Slack Thread Regulator</b>	...	...	...	...
225f	2174	" " " Adjusting Screw	...	...	...	...
2102	2169	<b>Tension Disc</b>	...	...	...	...
1560c	567	" Regulating Thumb Nut	...	...	...	...
32572	2169	" Releasing Disc	...	...	...	...

No.	Plate					
43944	2162	<b>Tension Releasing Lever...</b>	...	...	...	...
12398	2169	" " " Hinge Pin	...	...	...	...
12329	2169	" " " Spring	...	...	...	...
32574	2169	" " " Pin	...	...	...	...
*50327c	2171	" Screw Stud	...	...	...	...
44141	—	" " " 50327c with 1560c	...	...	...	...
43945	2162	" Spring	...	...	...	...
12149	2170	" Thread Guard	...	...	...	...
44118	—	<b>Tension, complete, Nos. 7336, 32572, 32574, 43945, 43946, 44141 and two 2102</b>	...	...	...	...
52454	2162	<b>Thread Retainer</b>	...	...	...	...
624	2171	" " Set Screw	...	...	...	...
12404	540	<b>Thread Take-up Crank</b>	...	...	...	...
3094	544	" " " Wedge	...	...	...	...
690c	2171	" " " " Screw	...	...	...	...
12408	540	<b>Thread Take-up Lever</b>	...	...	...	...
775e	2202	" " " Cap Screw	...	...	...	...
12166	544	" " " Hinge Pin	...	...	...	...
12409	540	" " " Link	...	...	...	...
11204	540	" " " " Hinge Pin	...	...	...	...
435c	2171	" " " " " " " " Set Screw	...	...	...	...
12410	—	<b>Thread Take-up Lever, complete, Nos. 12166, 12408 and 12409</b>	...	...	...	...
43946	2169	<b>Thread Take-up Spring</b>	...	...	...	...
7336	2170	" " " Regulator	...	...	...	...
448c	2171	" " " " Set Screw	...	...	...	...
43990	—	<b>Thread Take-up, complete, Nos. 775e, 11204, 12404, 12410 and 43997</b>	...	...	...	...
12412	2166	<b>Throat Plate (large needle hole) for 12370 and 43979</b>	...	...	...	...
20107	2167	" " (small " " ) " 20106	...	...	...	...
20315	—	" " (large " " ) " 20106	...	...	...	...
44255	2166	" " (small " " ) " 44252 and 44253	...	...	...	...
44256	2166	" " (large " " ) " 44252 and 44253	...	...	...	...
691f	2174	" " " Screw (2)	...	...	...	...
<i>NOTE.—No. 12412 is sent with this Machine, unless otherwise specified on order.</i>						
19366	2163	<b>Vibrating Presser Bar</b>	...	...	...	...
19367	2170	" " " Cap	...	...	...	...
199d	2171	" " " " Screw for 19366	...	...	...	...
219d	2174	" " " " " " 19367	...	...	...	...
19368	2169	" " " Cushion (rawhide)	...	...	...	...
19369	2162	" " " Spring	...	...	...	...
335d	2171	" " " " Screw	...	...	...	...

No.	Plate						
19370	2170	<b>Vibrating Presser</b>	Foot for 12370 and 43979	...	...	...	...
19374	2170	"	" " " " 12457	...	...	...	...
19376	2170	"	" " " " 20106	...	...	...	...
217d	2202	"	" " " Screw	...	...	...	...

*NOTE.* —No. 19370 is sent with this Machine, unless otherwise specified on order.

139622		<b>Drip Pan</b>	with four $\frac{3}{4}$ " wire nails	...	...	...	...
80864		"	" " " " Wood Screws $\frac{1}{4}$ " No. 5, for machines with				S.D.A.

**PARTS COMPLETE**  
FOR  
**Nos. 31K21 MACHINE**  
(OBSOLETE)

**DROP FEED. ROLLER PRESSER.**  
**FOR LEATHER WORK.**

No.	Plate	
*12355	—	Arm with 11104, 11119, 12453, 12454 and 24131 ...
8582	2169	" Dowel Pin (2) ...
12453	540	" Oil Tube for Intermediate Bearing ...
12454	540	" " " with 132590 for Oiling 12409 ...
15783	2169	" " " (front of arm) ...
11119	540	" " " ( " " " ) 15783 with 52045 for Oiling 12408 and 19365
24131	540	" " " with 52045 for Oiling 20283 ...
52045	—	" " " Packing (Cotton Wick) ...
132590	2168	" " " " (Braided Cotton) for 12454 ...
748c	567	" Screw (back) (2) ...
854c	567	" " (front) (2) ...
12427	535	Arm Shaft ...
*11104	539	" " Bushing (front) ...
12357	539	" " Flanged Bushing (back) ...
448c	2174	" " " " ( " ) Set Screw ...
144c	2174	" " Screw ...
12480	2170	" Side Cap ...
219f	2174	" " " Screw ...
12193	544	" " Cover ...
51224d	2171	" " " Thumb Screw ...
12403	544	" Spool Pin and Thread Eyelet (2) ...
11241	2168	" " " Washer (Cloth) ...
*12360	—	Bed ...
256w	2174	Clamp Stop Motion Clamp Screw ...
248a	2174	" " " " Stop Screw ...
2020	539	" " " " Washer ...
*3023	—	" " " " Flanged Bushing ...
4933	539	" " " " " 3023 with two 462al ...
2022	2169	" " " " " Pin ...
462al	2174	" " " " " Set Screw ...
3022j	—	Clamp Stop Motion, complete, Nos. 248a, 256w, 2020 and 4933

No.	Plate	
20197	535	Crank Connecting Rod with 20198, 125044 and two 896c ...
*20198	—	" " " " Cap ...
896c	567	" " " " " Screw ...
908c	567	" " " " " Hinge Screw ...
1619c	567	" " " " " Nut ...
125044	—	" " " " " Oil Pad (felt) ...
20057	535	Face Plate ...
44181	2169	" " Thread Guard (lower) ...
12150	—	" " " " " ( " ) 44181 with 12152 ...
12152	2169	" " " " " ( " ) Rivet ...
45874	2169	" " " " " (upper) ...
139615	2169	" " " " " ( " ) 45874 with 125424 ...
125424	2169	" " " " " ( " ) Rivet ...
20058	—	Face Plate, complete, Nos. 12150, 20057 and 139615 ...
190d	2174	" " Screw ...
51224d	2171	" " Thumb Screw ...
12368	2163	Feed Bar ...
313c	2174	" " Screw Centre (2) ...
1519c	567	" " " " " Nut (2) ...
12197	539	Feed Cam and Feed Lifting Eccentric with 446c ...
446c	2174	" " " " " " " Set Screw ...
52165	539	Feed Connecting Link ...
375c	2174	" " " " " Hinge Screw (2) ...
1518c	567	" " " " " " " Nut (2) ...
12436	2166	Feed Dog, for Leather, 11 Teeth (18 Teeth to the inch) ...
20011	2167	" " " " " " 11 " ...
20323	2167	" " 8 Teeth (12 Teeth to the inch) ...
208al	2174	" " Screw (2) ...
NOTE. No. 12136 is sent with this Machine, unless otherwise specified on order.		
12123	2164	Feed Forked Connection ...
375c	2174	" " " " " Hinge Screw ...
1518c	567	" " " " " " " Nut ...
43994	—	Feed Forked Connection, complete, Nos. 12123, 52165, 56886, two each 375c and 1518c ...
12374	535	Feed Lifting Rock Shaft ...
12376	539	" " " " " Crank (front) with 157c and 1813 ...
157c	2174	" " " " " " ( " ) Clamping Screw ...
1813	567	" " " " " " ( " ) Roller and Stud ...
14656	539	" " " " " " (back) with 462al ...

No.	Plate	
2049	2162	<b>Feed Lifting Rock Shaft Crank (back) Pin</b> ... ..
462al	2174	" " " " " ( " ) Set Screw ... ..
20001	—	<b>Feed Lifting Rock Shaft, complete, Nos. 12374, 12376 and 16556</b>
43976	2164	<b>Feed Lifting Rock Shaft Crank Connecting Rod with 43977 and two 966e</b>
*43977	—	" " " " " " " " Cap ... ..
966e	2174	" " " " " " " " Screw ... ..
375c	2174	" " " " " " " " Hinge Screw
1518e	567	" " " " " " " " Screw
		Nut
307c	2174	" " " " " " Screw Centre (2) ... ..
1513j	567	" " " " " " Nut (2) ... ..
3039	540	<b>Feed Regulator</b> ... ..
56886	—	" " 3039 with 818d ... ..
140139e	567	" " Hinge Screw ... ..
139603	2169	" " " " Friction Washer ... ..
818d	567	" " Thumb Screw ... ..
12379	535	<b>Feed Rock Shaft</b> ... ..
29633	539	" " " Crank with 157c ... ..
157c	2174	" " " " Clamping Screw ... ..
307c	2174	" " " " Screw Centre (2) ... ..
1513j	567	" " " " " Nut (2) ... ..
20333	—	<b>Feed Rock Shaft, complete, Nos. 12379 and 29633</b> ... ..
25874	2171	<b>Guide for Raised Throat Plates</b> ... ..
25866	2171	" " Flush Throat Plates ... ..
284d	2174	" Thumb Screw for 25874 ... ..
732d	2174	" " " " 25866 ... ..
139631	2619	<b>Machine Pulley, (power) "V" belt groove (diam. of belt groove 2.9") with two 140713al</b>
56898	2619	" " (heavy rim) "V" belt groove (diam. of belt groove 2.9") with two 435al
85200	535	" " (stand) heavy rim, 2½" Pulley, with two 448c
2862	535	" " (stand) heavy rim, 3" Pulley for 3022j
2135	535	" " (stand) heavy rim, 2½" Pulley for 3022j
24297	536	" " Off Cover for 2135 and 2862 ... ..
210d	2174	" " " " Screw ... ..
448c	2174	" " Set Screw for 85200 ... ..
140713al	567	" " " " " 139631 ... ..
435al	2174	" " " " " 56898 ... ..

NOTE. —No. 139631 is sent with this Machine, unless otherwise specified on order.

No.	Plate	
12448	2165	<b>Needle Bar (hollow)</b> ... ..
12382	540	" " Connecting Link with 794e ... ..
43997	—	" " " " 12382 with 12384 ... ..
794e	567	" " " " Adjusting Screw ... ..
*12383	540	" " " " Stud ... ..
1904	567	" " " " Roller (roller only) ... ..
453c	2174	" " " " Set Screw ... ..
12384	—	" " " " 12383 with 453c and 1904 ... ..
20188	540	<b>Needle Bar Crank with 1065al</b> ... ..
1065al	567	" " " Position Screw ... ..
93811	—	" " Lubricating Wick (2) ... ..
936e	567	" " Screw Bushing ... ..
44245	2169	" " Thread Guard ... ..
233d	2174	" " " " Screw ... ..
2167	2169	<b>Needle Clamp with 196al</b> ... ..
196al	2174	" " Screw ... ..
44004	—	<b>Oil Cup</b> ... ..
44214	—	" " Extension ... ..
44005	—	" " " 44214 with 24075 ... ..
24075	2168	" " " Post ... ..
44006	—	" " Packing (Felt) ... ..
44007	2162	<b>Oil Cup, complete, Nos. 44004 to 44006</b> ... ..
*24104	2169	<b>Oscillating Rock Shaft</b> ... ..
12388	2164	" " " Hinge Pin ... ..
448c	2174	" " " " " Set Screw ... ..
4784	2168	" " " Oil Pad ... ..
24105	—	<b>Oscillating Rock Shaft, complete, Nos. 4784, 12388 and 24104</b>
139602	—	" " " 24105 with 908c ... ..
12389	535	<b>Oscillating Shaft</b> ... ..
19496	539	" " Crank for 19447 ... ..
44134	—	" " " " 44135 ... ..
3093	2169	" " " Pin ... ..
457c	2202	" " " Set Screw for 19447 ... ..
453c	2174	" " " " " 44135 ... ..
19448	544	" " " Slide Block ... ..
226d	2174	" " " " Cap Screw ... ..
12424	2169	" " " " " Washer ... ..
988c	567	" " " " " Screw Stud ... ..
1518e	567	" " " " " Nut ... ..
19449	—	<b>Oscillating Shaft Crank Slide Block, complete, Nos. 226d, 988c, 12424 and 19448</b> ... ..

16x6 - Needle, size 16...

No.	Plate	
*19447	---	<b>Oscillating Shaft Crank</b> , complete, Nos. 457c, 1518c, 19449 and 19496
44135	---	<b>Oscillating Shaft Crank</b> , complete, Nos. 1518c, 19449, 44134 and two 453c
19441	2165	<b>Presser Bar</b> (hollow)
20059	540	<b>Presser Bar Guide Bracket</b> with 453c
453c	2174	" " " " Set Screw
2062	544	" " Lifter
689c	2174	" " " Screw
1520r	567	" " " " Nut
12327	540	" " Lifting and Releasing Lever Bracket
11167	2164	" " Spring (light)
11170	2169	" " " Washer
19464	---	<b>Presser Bar</b> , complete, Nos. 190d, 19441 to 19443 and 20445
19165	547	<b>Presser Foot</b>
20114	547	" " "
20271	547	" " for Beading and Top Stitching
20272	547	" " " Shoe Tips and Gores
20273	547	" " " Inside Stays
20274	547	" " " Outside Stays

NOTE. Presser Feet are only supplied with this Machine when specified on order and at an extra charge.

190d	2174	<b>Presser Foot Screw</b>
688j	567	<b>Pressure Regulating Thumb Screw</b>
51801	2170	<b>Roller</b> , $\frac{9}{16}$ " diam., coarse, with 388d and 1550j
51802	---	" $\frac{9}{16}$ " " fine, " 388d " 1550j
1868	2170	" $\frac{7}{8}$ " " coarse, with 652d " 1528j
1841	2170	" $\frac{7}{8}$ " " fine, " 652d " 1528j
1911	2170	" $1\frac{1}{8}$ " " coarse, with 386d " 1528j
1912	2170	" $1\frac{1}{8}$ " " fine, " 386d " 1528j
24903	2170	" Arm for 24904 and 24905
62677	2170	" " " 62721 " 62722
16573	2170	" " " 16581 " 16582
19442	540	" " Bracket
19443	540	" " " Position Collar with 456al
456al	547	" " " " " Set Screw
987e	547	" " " " Screw Stud
19444	547	" " " " Spring
19445	547	" " " " Pin
19446	547	<b>Roller Arm Bracket Spring Stud</b>

No.	Plate	
21445	---	<b>Roller Arm Bracket Spring Stud</b> , complete, Nos. 987e and 19444 to 19446
24904	---	<b>Roller Presser</b> , complete, $\frac{9}{16}$ ", coarse roller, Nos. 24903 and 51801
24905	---	<b>Roller Presser</b> , complete, $\frac{9}{16}$ ", fine roller, Nos. 24903 and 51802
62721	---	<b>Roller Presser</b> , complete, $\frac{7}{8}$ ", coarse roller, Nos. 1868 and 62677
62722	---	<b>Roller Presser</b> , complete, $\frac{7}{8}$ ", fine roller, Nos. 1841 and 62677
16581	---	<b>Roller Presser</b> , complete, $1\frac{1}{4}$ ", coarse roller, Nos. 1911 and 16573
16582	---	<b>Roller Presser</b> , complete, $1\frac{1}{4}$ ", fine roller, Nos. 1912 and 16573

NOTE. No. 16580 is sent with this Machine, unless otherwise specified on order.

190d	2174	<b>Roller Presser Screw</b>
388d	2174	" Screw for 51801 and 51802
386d	2174	" " " 1911 " 1912
652d	2174	" " " 1841 " 1808
1550j	567	" " Nut for 51801 and 51802
1628j	567	" " " " 1841, 1868, 1911 and 1912
19131	1012	<b>Shuttle Bobbin</b>
20649	2162	" " Case Latch
2973	2202	" " " " Lever
2974	2202	" " " " Fulcrum Pin
2975	2202	" " " " Spring
592e	2174	" " " " Stop Screw
20650	2162	" " " Hinge, Nos. 2973, 2974 and 20649
24323	1012	" " " Position Plate
391j	2174	" " " " Screw
20756	1012	" " " with 591f, 592e, 2975, 20650 and 20651
20757	1012	<b>Shuttle Body</b>
591f	2174	" Tension Regulating Screw
20654	1012	" " Spring
20758	2162	<b>Shuttle</b> , $1\frac{1}{16}$ " diam., complete, Nos. 19131, 20756 and 20757
19406	1012	<b>Shuttle Driver</b> with two 1266c
2049	2162	" " Pin
1266c	2174	" " Set Screw
2419	1012	<b>Shuttle Race Back</b>
2532	2169	" " " Position Pin
2533	2202	" " " Spring



No.	Plate	
907d	567	<b>Shuttle Race Back</b> Spring Screw ... ..
24324	---	" " Body ... ..
24999	---	" " " 24324, with 24009, two each 1053d and 2532
24009	1012	" " Cap ... ..
1053d	567	" " " Screw ... ..
24325	1012	<b>Shuttle Race</b> , complete, Nos. 907d, 2419, 2533, 24323, 21999 and two 391j
145d	2174	<b>Shuttle Race Screw (2)</b> ... ..
12431	---	<b>Shuttle Race Slide</b> ... ..
4307	544	" " " Spring ... ..
725e	2174	" " " " Screw ... ..
12432	544	<b>Shuttle Race Slide</b> , complete, Nos. 4307, 12431 and two 725e
20060	544	<b>Slack Thread Regulator</b> ... ..
225f	2174	" " " Adjusting Screw ... ..
2102	2169	<b>Tension Disc</b> ... ..
1560c	567	" Regulating Thumb Nut ... ..
32572	2169	" Releasing Disc ... ..
43944	2162	" " Lever ... ..
12398	2169	" " " Hinge Pin ... ..
12329	2169	" " " Spring ... ..
32574	2169	" " " Pin ... ..
*50327c	2171	" Screw Stud ... ..
44141	---	" " " 50327c and 1560c ... ..
43945	2162	" Spring ... ..
44118	---	<b>Tension</b> , complete, Nos. 7336, 32572, 32574, 43945, 43946, 44141 and two 2102 ... ..
52454	2162	<b>Thread Retainer</b> ... ..
624c	2174	" " Set Screw ... ..
12404	540	<b>Thread Take-up Crank</b> ... ..
3094	544	" " " Wedge ... ..
690e	2174	" " " " Screw ... ..
12408	540	<b>Thread Take-up Lever</b> ... ..
775e	2202	" " " Cap Screw ... ..
12166	544	" " " Hinge Pin ... ..
12409	540	" " " Link ... ..
11204	540	" " " Hinge Pin ... ..
435c	2174	" " " " " Set Screw ... ..
12410	---	<b>Thread Take-up Lever</b> , complete, Nos. 12166, 12408 and 12409

No.	Plate	
13946	2169	<b>Thread Take-up Spring</b> ... ..
7336	2170	" " " Regulator ... ..
448c	2174	" " " " Set Screw ... ..
43990		<b>Thread Take-up</b> , complete, Nos. 775e, 11204, 12404, 12410 and 43997
12438	2167	<b>Throat Plate</b> (large oblong needle hole) for 12436 and 20323 ...
20192		" " (small " " " " ) " 12436 and 20323 ...
12452	2167	" " ( " " " " ) " 12436 and 20323, raised at needle hole for top stitching ... ..
20012	2167	<b>Throat Plate</b> (large oblong needle hole) for 20011 ... ..
20293		<b>Throat Plate</b> (small oblong needle hole) for 20011 ... ..
691f	2174	<b>Throat Plate Screw</b> ... ..
<i>NOTE: No. 12438 is sent with this Machine, unless otherwise specified on order.</i>		
139622		<b>Drip Pan</b> with four $\frac{3}{4}$ " wire nails ... ..
80864		" " " " Wood Screws $\frac{1}{4}$ " No. 5, for machines with S.D.V.

## PARTS COMPLETE

FOR

## No. 31K47 MACHINE

DROP FEED. ALTERNATING PRESSERS,

For Medium and Heavy Enamelled or Plain Cloth and Fabrics  
of uneven thickness.

No.	Plate			
*20339	-	Arm with 11104, 12453, 12454, 24131 and two 11119	...	...
8582	2169	" Dowel Pin (2)	...	...
12453	510	" Oil Tube for Intermediate Bearing	...	...
12454	510	" " " with 132590 for Oiling 12409	...	...
15783	2169	" " " (front of arm)	...	...
11119	510	" " " ( " " " ) 15783 with 52045 for Oiling 12108 and 19365	...	...
24131	510	" Oil Tube with 52045 for Oiling 12197	...	...
52045	-	" " " Packing (Cotton Wick)	...	...
132590	2168	" " " " (Braided Cotton) for 12454	...	...
748e	567	" Screw (back) (2)	...	...
854e	567	" " (front) (2)	...	...
12427	535	Arm Shaft	...	...
*11104	539	" " Bushing (front)	...	...
12357	539	" " Flanged Bushing (back)	...	...
448c	2174	" " " " ( " ) Set Screw	...	...
144c	2174	" " Screw	...	...
12193	544	" Side Cover	...	...
51224d	2171	" " " Thumb Screw	...	...
12403	544	" Spool Pin and Thread Eyelet (2)	...	...
11241	2168	" " " Washer (Cloth)	...	...
*12360	-	Bed	...	...
256w	2174	Clamp Stop Motion Clamp Screw	...	...
248a	2174	" " " " Stop Screw	...	...
2020	539	" " " " Washer	...	...
*3023	-	" " " " Flanged Bushing	...	...
4933	539	" " " " " 3023 with two 462al	...	...
2022	2169	" " " " " Pin	...	...
462al	2174	" " " " " Set Screw	...	...
3022j	-	Clamp Stop Motion, complete, Nos. 248a, 256w, 2020 and 4933	...	...

No.	Plate	
20197	535	<b>Crank Connecting Rod</b> with 20198, 125044 and two 896e
*20198	-	" " " " Cap
896e	567	" " " " Screw
908e	567	" " " " Hinge Screw
1619e	567	" " " " Nut
125044	-	" " " " Oil Pad (felt)
19354	-	<b>Face Plate</b>
44181	2169	" " Thread Guard (lower)
12150	-	" " " " ( " ) 44181 with 12152
12152	2169	" " " " ( " ) Rivet
45874	2169	" " " " (upper)
139615	2169	" " " " ( " ) 45874 with 125424
125424	2169	" " " " ( " ) Rivet
19355	2164	<b>Face Plate, complete, Nos. 12150, 19354 and 139615</b>
219d	2174	" " Screw (2)
12368	2163	<b>Feed Bar</b>
313c	2171	" " Screw Centre (2)
1519e	567	" " Nut (2)
52165	539	<b>Feed Connecting Link</b>
375c	2174	" " Hinge Screw (2)
1518e	567	" " Nut (2)
44252	2166	<b>Feed Dog, for Cloth, 12 Teeth (12 Teeth to the inch)</b>
20106	2167	" " " " 13 Teeth (16 Teeth to the inch)
12370	2167	" " " " 15 Teeth (16 Teeth to the inch)
44253	2166	" " " " 16 Teeth (16 Teeth to the inch)
43979	-	" " " " 21 Teeth (22 Teeth to the inch)
12481	2167	" " " " 18 Teeth (16 Teeth to the inch)
208al	2174	" " Screw (2)
<i>NOTE. No. 12481 is sent with this Machine, unless otherwise specified on order.</i>		
20283	539	<b>Feed and Feed Lifting Eccentric</b> with 446e
446e	2174	" " " " Set Screw
24036	2170	" " " " Sleeve
20284	535	<b>Feed Forked Connection</b>
375c	2174	" " Hinge Screw
1518e	567	" " Nut
43993	-	<b>Feed Forked Connection, complete, Nos. 20284, 52165, 56886, two each 375c and 1518e</b>

No.	Plate	
44125	2164	<b>Feed Lifting Rock Shaft</b>
12376	539	" " " " Crank with 157c and 1813
157c	2174	" " " " Clamping Screw
1813	567	" " " " Roller and Stud
44126	-	<b>Feed Lifting Rock Shaft, complete, Nos. 12376 and 44125</b>
43976	2164	<b>Feed Lifting Rock Shaft Crank Connecting Rod</b> with 43977 and two 966e
*43977	-	<b>Feed Lifting Rock Shaft Crank Connecting Rod Cap</b>
966e	2174	" " " " " " " " Screw
375c	2174	" " " " " " " " Hinge Screw
1518e	567	" " " " " " " " Hinge Screw Nut
307c	2171	" " " " " " " " Screw Centre (2)
1513j	567	" " " " " " " " Nut (2)
3039	540	<b>Feed Regulator</b>
56886	-	" " 3039 with 818d
140139e	567	" " Hinge Screw
139603	2169	" " " " Friction Washer
818d	567	" " Thumb Screw
12379	535	<b>Feed Rock Shaft</b>
29633	539	" " " " Crank with 157c
157c	2174	" " " " Clamping Screw
307c	2174	" " " " Screw Centre (2)
1513j	567	" " " " Nut (2)
20333	-	<b>Feed Rock Shaft, complete, Nos. 12379 and 29633</b>
25874	2171	<b>Guide for Raised Throat Plates</b>
25866	2171	" " Flush Throat Plates
284d	2174	" " Thumb Screw for 25874
732d	2174	" " " " 25866
12391	535	<b>Lifting Presser Bar (hollow)</b>
19356	2162	" " " " Bell Crank
199d	2174	" " " " Cap Screw
19357	2163	" " " " Connecting Link
199d	2174	" " " " Cap Screw
19358	2162	" " " " Driving Arm
19362	2163	" " " " Eccentric Connection
62637	-	" " " " Eccentric Connection 19362 with 19365

No.	Plate	
375c	2174	<b>Lifting Presser Bar</b> Bell Crank Driving Arm Eccentric Connection Hinge Screw ... ..
1518j	567	<b>Lifting Presser Bar</b> Bell Crank Driving Arm Eccentric Connection Hinge Screw Nut ... ..
2049	2162	<b>Lifting Presser Bar</b> Bell Crank Driving Arm Pin ... ..
19359	2163	" " " " " " " " Shaft ... ..
19360	2164	" " " " " " " " Bracket ... ..
19361	-	<b>Lifting Presser Bar</b> Bell Crank Driving Arm Shaft Bracket, complete, Nos. 2049 and 19358 to 19360 ... ..
965d	2174	<b>Lifting Presser Bar</b> Bell Crank Driving Arm Shaft Bracket Screw ... ..
24589	2162	<b>Lifting Presser Bar</b> Guide Bracket with 453c ... ..
453c	2174	" " " " " " Set Screw ... ..
24590	2163	" " " " " " Support ... ..
175j	2174	" " " " " " Screw ... ..
44268		<b>Lifting Presser Bar</b> Guide Bracket, complete, Nos. 19356, 19357, 24589, 44270 and three 199d ... ..
4855	2162	<b>Lifting Presser Bar Lifter</b> ... ..
689c	2174	" " " " " " Screw ... ..
1520j	567	" " " " " " Nut ... ..
12327	540	" " " " Lifting and Releasing Lever Bracket ... ..
11167	2164	" " " " Spring (light) ... ..
12139	2164	" " " " (medium) ... ..
20023	2164	" " " " (heavy) ... ..
11170	2169	" " " " Washer ... ..
<i>NOTE. No. 11167 is sent with this Machine, unless otherwise specified on order.</i>		
44269	2202	<b>Lifting Presser Foot</b> ... ..
19375	2162	" " " " ... ..
193j	2174	" " " " Screw ... ..
<i>NOTE. No. 44269 is sent with this Machine unless otherwise specified on order.</i>		
139631	2619	<b>Machine Pulley</b> (power) "V" belt groove (diam. of belt groove 2.9") with two 140713al ... ..
56898	2619	" " (heavy rim) "V" belt groove (diam. of belt groove 2.9") with two 435al ... ..
2862	535	" " (stand) heavy rim, 3" Pulley for 3022j ... ..
2135	535	" " (stand) heavy rim, 2½" Pulley for 3022j ... ..
24297	536	" " Oil Cover for 2135 and 2862 ... ..
210d	2174	" " " " " " Screw ... ..

No.	Plate	
140713al	567	<b>Machine Pulley</b> Set Screw for 139631 ... ..
435al	2174	" " " " " " 56898 ... ..
<i>NOTE. No. 139631 is sent with this Machine, unless otherwise specified on order.</i>		
19229	2163	<b>Needle Bar</b> (hollow) ... ..
12382	540	" " Connecting Link with 794c ... ..
43997		" " " " 12382 with 12384 ... ..
794c	567	" " " " Adjusting Screw ... ..
*12383	540	<b>Needle Bar</b> Connecting Stud ... ..
1904	567	" " " " Roller (roller only) ... ..
453c	2174	" " " " Set Screw ... ..
12384		" " " " 12383 with 453c and 1904 ... ..
19365	2164	<b>Needle Bar Crank and Lifting Eccentric</b> with 448c and 743al
743al	2174	" " " " " " Position Screw ... ..
448c	2174	" " " " " " Set Screw ... ..
93841		" " Lubricating Wick (2) ... ..
936c	567	" " Screw Bushing (2) ... ..
13112		<b>Needle Clamp Body</b> ... ..
51323f	2168	" " Screw ... ..
4802	2168	" " Thread Guide ... ..
651d	2174	" " " " Screw ... ..
4803	2168	<b>Needle Clamp</b> , complete, Nos. 651d, 4802, 13112 and 51323f ... ..
*24104	2169	<b>Oscillating Rock Shaft</b> ... ..
12388	2164	" " " " Hinge Pin ... ..
448c	2174	" " " " " " Set Screw ... ..
1784	2168	" " " " Oil Pad ... ..
24105		<b>Oscillating Rock Shaft</b> , complete, Nos. 4781, 12388 and 24104
139602		" " " " 24105 with 908c ... ..
12389	535	<b>Oscillating Shaft</b> ... ..
19496	539	" " Crank for 19447 ... ..
44134		" " " " 44135 ... ..
3093	2169	" " " " Pin ... ..
457c	2202	" " " " Set Screw for 19447 ... ..
453c	2174	" " " " " " 44135 ... ..
19448	544	" " " " Slide Block ... ..
226d	2174	" " " " " " Cap Screw ... ..
12424	2169	" " " " " " Washer ... ..
988c	567	" " " " " " Screw Stud ... ..
1518c	567	" " " " " " Nut ... ..

16 X 113 - NEEDLE, Size 21

No.	Plate	
19449		<b>Oscillating Shaft Crank Slide Block</b> , complete, Nos. 226d, 988c, 12424 and 19448
*19447		<b>Oscillating Shaft Crank</b> , complete, Nos. 457c, 4518c, 19419 and 19496
41135		<b>Oscillating Shaft Crank</b> , complete, Nos. 4518c, 19419, 41134 and two 453c
688j	567	<b>Pressure Regulating Thumb Screw</b>
2996	2202	<b>Shuttle Bobbin</b>
15140	2202	" " Case Latch
2973	2202	" " " " Lever
2974	2202	" " " " " Fulcrum Pin
2975	2202	" " " " " Spring
592c	2174	" " " " " Stop Screw
15141	—	" " " " " Hinge, Nos. 2973, 2974 and 15110
24412	2202	" " " " " Position Plate
391j	2174	" " " " " " Screw
62740	2162	<b>Shuttle Bobbin Case</b> , with 591f, 592c, 2975, 15141 and 45278
12393	2202	<b>Shuttle Body</b>
591f	2174	" Tension Regulating Screw
45278	2162	" " Spring
19292	2202	<b>Shuttle</b> , 1 $\frac{1}{8}$ " diam., complete, Nos. 2996, 12393 and 62740
*12394	—	<b>Shuttle Driver</b>
12444	2202	" " 12394 with two 1266c
2049	2162	" " Pin
1266c	2174	" " Set Screw
2531	2202	<b>Shuttle Race Back</b>
2532	2169	" " " Position Pin
2533	2202	" " " Spring
907d	567	" " " " " Screw
24413	2168	" " " Body
62502	—	" " " 24413 with 24418 and two 1053d
24418	2162	" " " Cap
1053d	567	" " " " " Screw
24419	—	<b>Shuttle Race</b> , complete, Nos. 907d, 2531, 2533, 24412, 62502, two each 391j and 2532
145d	2174	<b>Shuttle Race Screw (2)</b>
12431	—	<b>Shuttle Race Slide</b>

No.	Plate	
4307	511	<b>Shuttle Race Slide Spring</b>
725c	2174	" " " " " Screw
12432	511	<b>Shuttle Race Slide</b> , complete, Nos. 4307, 12431 and two 725c
2102	2169	<b>Tension Disc</b>
1560c	567	" Regulating Thumb Nut
32572	2169	" Releasing Disc
43944	2162	" " " Lever
12398	2169	" " " " Hinge Pin
12329	2169	" " " " " Spring
32574	2169	" " " " " Pin
50327c	2171	" Screw Stud
44141	—	" " " 50327c with 1560c
43945	2162	" Spring
12149	2170	" Thread Guard
44118	—	<b>Tension</b> , complete, Nos. 7336, 32572, 32574, 43945, 43946, 44141 and two 2102
52454	2162	<b>Thread Retainer</b>
624c	2174	" " Set Screw
12404	540	<b>Thread Take-up Crank</b>
3094	544	" " " Wedge
690c	2174	" " " " " Screw
12408	540	<b>Thread Take-up Lever</b>
775c	2202	" " " Cap Screw
12166	544	" " " Hinge Pin
12409	540	" " " Link
11204	540	" " " " Hinge Pin
435c	2174	" " " " " " Set Screw
12410	—	<b>Thread Take-up Lever</b> , complete, Nos. 12166, 12408 and 12409
43946	2169	<b>Thread Take-up Spring</b>
7336	2170	" " " " " Regulator
448c	2174	" " " " " " Set Screw
43990	—	<b>Thread Take-up</b> , complete, Nos. 775c, 11204, 12404, 12410 and 43997
12482	—	<b>Throat Plate</b> (large needle hole) for 12481
20107	2167	" " (small " " " " 20106
20315	—	" " (large " " " " 20106
44255	2166	" " (small " " " " 44252 and 44253
44256	2166	" " (large " " " " 44252 and 44253
691f	2174	" " " Screw (2)

NOTE. No. 12482 is sent with this Machine, unless otherwise specified on order.

No.	Plate							
44270	2202	<b>Vibrating Presser Bar</b>	...	...	...	...	...	...
19367	2170	"	"	"	Cap	...	...	...
199d	2174	"	"	"	"	Screw for 44270	...	...
219d	2174	"	"	"	"	"	"	19367
19368	2169	"	"	"	Cushion (rawhide)	...	...	...
19369	2162	"	"	"	Spring	...	...	...
335d	2174	"	"	"	"	Screw	...	...
19370	2170	"	"	"	Foot for 12370 and 43979	...	...	...
19374	2170	"	"	"	"	12457	...	...
19376	2170	<b>Vibrating Presser</b>	Foot for 20106	...	...	...	...	...
217d	2202	"	"	"	Screw	...	...	...

*NOTE.*—No. 19370 is sent with this Machine, unless otherwise specified on order.

139622		<b>Drip Pan</b> with four $\frac{3}{4}$ " wire nails	...	...	...	...	...	...
80864		"	"	"	"	Wood Screws $\frac{1}{2}$ " No. 5 for machines with	...	...

S. D. A.

## Accessories

No.	Plate				
2996	2202	Bobbins (2) for 31K19 and 31K17 Machines	...	...	...
19131	1012	" (2) " 31K21 Machine	...	...	(Obsolete)
12361	2171	Machine Hinge Connection (2)	...	...	...
86720 <del>30500</del>	<del>2171</del>	Oiler	...	...	...
25537	2171	Screw Driver (machine)	...	...	...
120378	2171	" " (shuttle tension)	...	...	...

16 X 6 - NEEDLES, SIX SIZE 11, FOR 31K 21 MACH.

16 X 113 - NEEDLES, THREE EACH SIZE 16 AND  
18, FOR 31K 47 MACHINE.

## Bobbin Winders

### BOBBIN WINDER (Friction), for Tight Machine Pulley No. 56898

No.	Plate	
12168	555	Bracket ... ..
692d	2174	" Screw ... ..
12169	555	Frame ... ..
12171	555	" complete, Nos. 333r, 5960, 5961, 5963, 12169 and 15077
32d	2174	Frame Hinge Screw ... ..
5960	555	Friction Wheel (Leather) ... ..
5961	555	" " Washer ... ..
333r	555	" " Screw ... ..
15077	555	Spindle with 15072 ... ..
15072	2169	" Bobbin Position Pin ... ..
5963	555	" Flange ... ..
12170	2170	Spring ... ..
180d	2174	" Screw ... ..
12172	2172	<b>Bobbin Winder</b> , complete, Nos. 32d, 180d, 12168, 12170 and 12171

### BOBBIN WINDER (Friction), for Loose Machine Pulleys Nos. 2135 and 2862

This Bobbin Winder is the same as 12172, with the following exceptions:—

No.	Plate	
43981	2164	Frame ... ..
93803	—	Frame, complete, Nos. 333r, 5960, 5961, 5963, 15077 and 43981
93804		<b>Bobbin Winder</b> , complete, Nos. 32d, 180d, 12168, 12170 and 93803

### BOBBIN WINDER (Friction), for Loose Machine Pulleys Nos. 2135 and 2862

(Export only)

This Bobbin Winder is the same as 12172, with the following exceptions:—

No.	Plate	
43981	2164	Frame ... ..
43982	2172	Frame, complete, Nos. 5960, 5961, 5963, 12336, 15077 and 43981
12336	2164	Spindle for Spool ... ..
12337	2172	<b>Bobbin Winder</b> , complete, Nos. 32d, 180d, 12168, 12170 and 43982

### BOBBIN WINDER (Friction), for Tight Machine Pulley No. 12358

This Bobbin Winder is the same as 12172, with the following exceptions:—

No.	Plate	
20307	2164	Frame ... ..
20308	2172	Frame, complete, Nos. 333r, 5960, 5961, 5963, 15077 and 20307
20309		<b>Bobbin Winder</b> , complete, Nos. 32d, 180d, 12168, 12170 and 20308





**BOBBIN WINDER (Swinging Automatic, Right Hand) for  
No. 19131, for Machines when used on Stand**

(Obsolete)

This Bobbin Winder is the same as 27554 with the following exceptions:

No.	Plate	
27540	1458	Base
27541	1458	Pulley
27587	2164	Stop Latch
27875	2172	Bobbin Winder, Nos. 35b, 1620j, 27302, 27303, 27538, 27540, 27541, 27587, 50356b and two Wood Screws 1" No. 7
<b>27876</b>	---	<b>Bobbin Winder</b> (Swinging Automatic, right hand), complete, Nos. 27308 and 27875

## Knee Lifters

**KNEE LIFTER for No. 31K21 Machine (Obsolete)**

No.	Plate	
5596		Bell Crank
5599		" " Bracket
1786	2174	" " " Screw
5601	2169	" " Hinge Pin
5735	2170	" " Spring
5598	2171	" " 5596 with 5599, 5601 and 5735
12237	535	Lifting Lever with 448c
12415	535	" " Connecting Rod
12416	2170	" " " " Joint
76d	2174	" " " " Hinge Screw
1521e	567	" " " " Lock Nut
802d	567	" " Hinge Screw
12241	2163	" " Link
766d	2174	" " " Hinge Screw
12240	2162	" " Pin
448c	2174	" " Set Screw
2763	535	Rock Shaft
97502	1818	" " Bracket
		" " " Screw (Wood) 1" No. 10
2765	535	" " Knee Arm with 1507e
2766	535	" " " Hub with 356c
1507e		" " " " Position Nut
356	2174	" " " " Set Screw
2768		" " " 2765 with 2766 and 2767
2767	535	" " " Plate with 356c
356c	2174	" " " " Set Screw
6337	535	" " Lifting Bracket with two 356c
2778	535	" " " " Hook
356	2174	" " " " Set Screw
356	2174	" " " " Set Screw
2770	535	" " Stop Dog with 356c
356	2174	" " " " Set Screw

## KNEE LIFTERS

No.	Plate	
84789	535	Rock Shaft, complete, Nos. 2763, 2768, 2770, 2778, 6337, two 97502 and four Wood Screws 1" No. 10 ...
<b>84790</b>	--	<b>Knee Lifter</b> , complete, Nos. 76d, 766d, 892d, 1521e, 5598, 12237, 12240, 12241, 12415, 12416, 84789 and two 178c ...

## KNEE LIFTERS

**KNEE LIFTER for Nos. 31K19 and 31K47 Machines.**

This Knee Lifter is the same as 84790 with the following exceptions:

No.	Plate	
20340	2173	Lifting Lever with 118c ...
21301	2168	" " Link ...
9372	2163	" " Pin ...
<b>99911</b>	--	<b>Knee Lifter</b> , complete, Nos. 76d, 766d, 892d, 1521e, 5598, 12415, 12416, 19372, 20340, 21301, 84789 and two 178c ...

## Driving Attachment

No.	Plate	
16592	536	Balance Wheel (friction) with 7958, 16524 and two 435c
16524		" " Friction Ring (Leather)
7958	2169	" " " " Stop Pin
24297	536	" " Oil Cover
210d	2174	" " " " Screw
435c	2174	" " Set Screw
16514		Bobbin Winder Frame
32d	2174	" " " Hinge Screw
16515	536	Bobbin Winder Frame, complete, Nos. 333r, 5960, 5961, 5963, 15077 and 16514
5960	555	Bobbin Winder Friction Wheel (Leather)
5961	555	" " " " Washer
333r	555	" " " " " Screw
15077	555	" " Spindle with 15072
15072	2169	" " " Bobbin Position Pin
5963	555	" " " " Flange
27306	2164	" " Spool Pin
11241	2168	" " " " Washer (cloth)
27307		" " " " Stand
†27308	2169	Bobbin Winder Spool Stand, complete, Nos. 418c, 1562j, 2106, 10141, 11241, 27306, 27307, two each 2455 and Wood Screws 1" No. 10
‡2170	2170	Bobbin Winder Spring
180d	2174	" " " " Screw
16516	536	" " Stop Latch with 152f and 1550h
152f	2174	" " " " Adjusting Screw
1550h	567	" " " " " " Nut
75d	2174	" " " " Hinge Screw
27303	2169	" " " " Spring
2269	2202	" " " " Stop Pin
2455	2202	" " Tension Disc
1562j	567	" " " " Regulating Thumb Nut
418c	2202	" " " " Screw Stud

† As No. 27308 can be supplied either Plated or Japanned, it is necessary when ordering, to state which is required.

No.	Plate	
10141	2162	Bobbin Winder Tension Spring
2106	2162	" " " " Thread Guide
16530	536	Bracket
692d	2174	" " Screw
16518	536	Driving Arm with 2269, 2928 and two 15132
2928	2170	" " Brake (Leather)
15132	2169	" " " " Rivet
12178	536	" " Friction Plug (Wood)
427c	2174	" " " " Adjusting Screw
1508c	567	" " " " " " " " Nut
693d	536	" " Hinge Screw
1579c	536	" " " " " " Nut
12175	536	" " Pitman
20371	2170	" " " " Crank
2022	2169	" " " " " Pin
20372	536	" " " " " Spring
65d	2174	" " " " " Hinge Screw
16522		Driving Arm, complete, Nos. 32d, 75d, 180d, 427c, 693d, 1508c, 1579c, 12170, 12178, 16515, 16516, 16518, 16530 and 27306
16591	536	Driving Friction Pulley, 2 $\frac{3}{16}$ " diam., with 861d and 10236
10236	536	" " " " Centre Bearing
861d	2174	" " " " Stop Screw
84278		Shaft Driving Pulley (sectional, grooved), 12" diam., with two 597c
597c	2174	" " " " Clamping Screw
12179	536	Starting Crank
2022	2169	" " " " Pin
12477	536	" " " " Shaft
14176		" " " " 12477, with 12479, 20371 and two 2022
27636	536	Treadle
9082	2162	" " Bearing Cotter Pin
27637	536	" " Pitman Rod (lower)
27638	536	" " " " ( " ) Spring
84695	536	" " " " (upper)
80223	536	" " " " Clamp with 361c
361c	2174	" " " " " Set Screw
84696	536	Treadle Pitman, complete, Nos. 2762, 27637, 27638, 80223 and 84695

No.	Plate	
2878	536	Treadle Stand
		" " Wood Screw 1" No. 16
2762	536	" Stop Collar with 362c
362c	2174	" " " Set Screw
27642		Treadle, complete, Nos. 2878, 9082, 27636 and four Wood Screws 1" No. 16
84698		Treadle and Pitman, complete, Nos. 27642 and 84696
<b>84788</b>		<b>Driving Attachment</b> , complete, Nos. 210d, 692d, 12475, 16522, 16592, 16594, 20372, 24297, 27308, 44176, 84278, 84698 and two 65d